

4

3

2

1

REVISIONS					
REV.	ECO NO.	DESCRIPTION	CHECKED	APPROVED	DATE
A	30-018	INITIAL RELEASE			

D

D

C

C

B

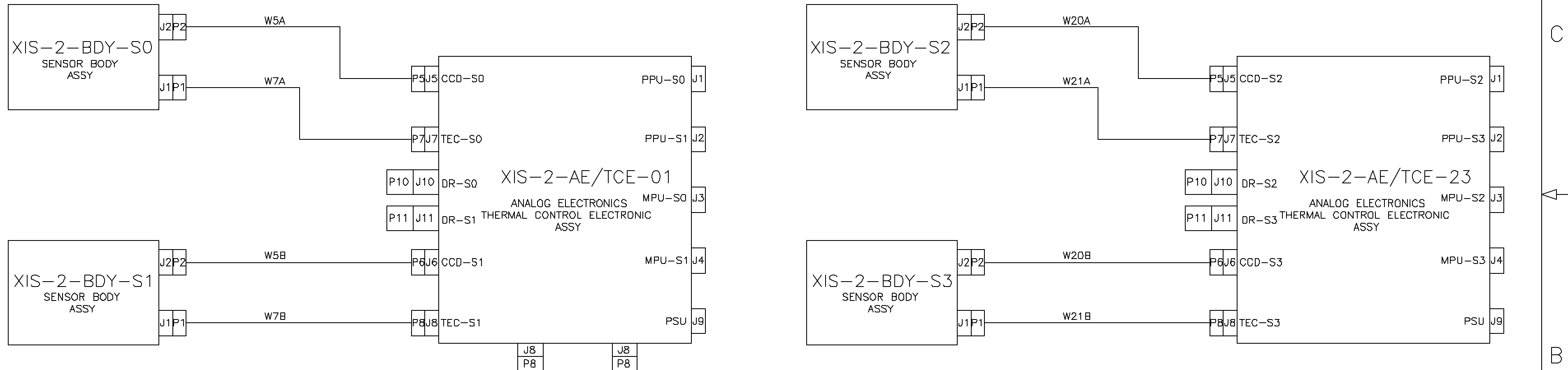
B

B

B

A

A



NOTES:

1. WIRE SIZE AND MATERIAL NOTED ON EACH SHEET.

A	A	A																	
1	2	3																	

REVISION STATUS OF SHEETS

NAME	DATE
DRAWN	
CHECKED	
APPROVED	
RELEASED	
WEIGHT	

UNLESS OTHERWISE SPECIFIED:  
 DIMENSIONS SHALL BE INTERPRETED IAW ANSI Y14.5 - 1982  
 DIMENSIONS ARE IN INCHES  
 TOLERANCE: ANGLES  $\pm 1^\circ$   
 3 PLACE DECIMALS  $\pm .005$   
 2 PLACE DECIMALS  $\pm .01$   
 THIRD ANGLE PROJECTION

MASSACHUSETTS INSTITUTE OF TECHNOLOGY  
 CENTER FOR SPACE RESEARCH  
 CAMBRIDGE, MA 02139

INTERCONNECTION DIAGRAM—  
 ASTRO-E2

SIZE	CAGE CODE	DWG. No.	REV.
C	80230	30-05020.01	A

SCALE NONE SHEET 1 OF 3

4

3

2

1

REVISIONS					
REV.	ECO NO.	DESCRIPTION	CHECKED	APPROVED	DATE
		SEE SHEET 1			

D  
C  
B  
A

D  
C  
B  
A

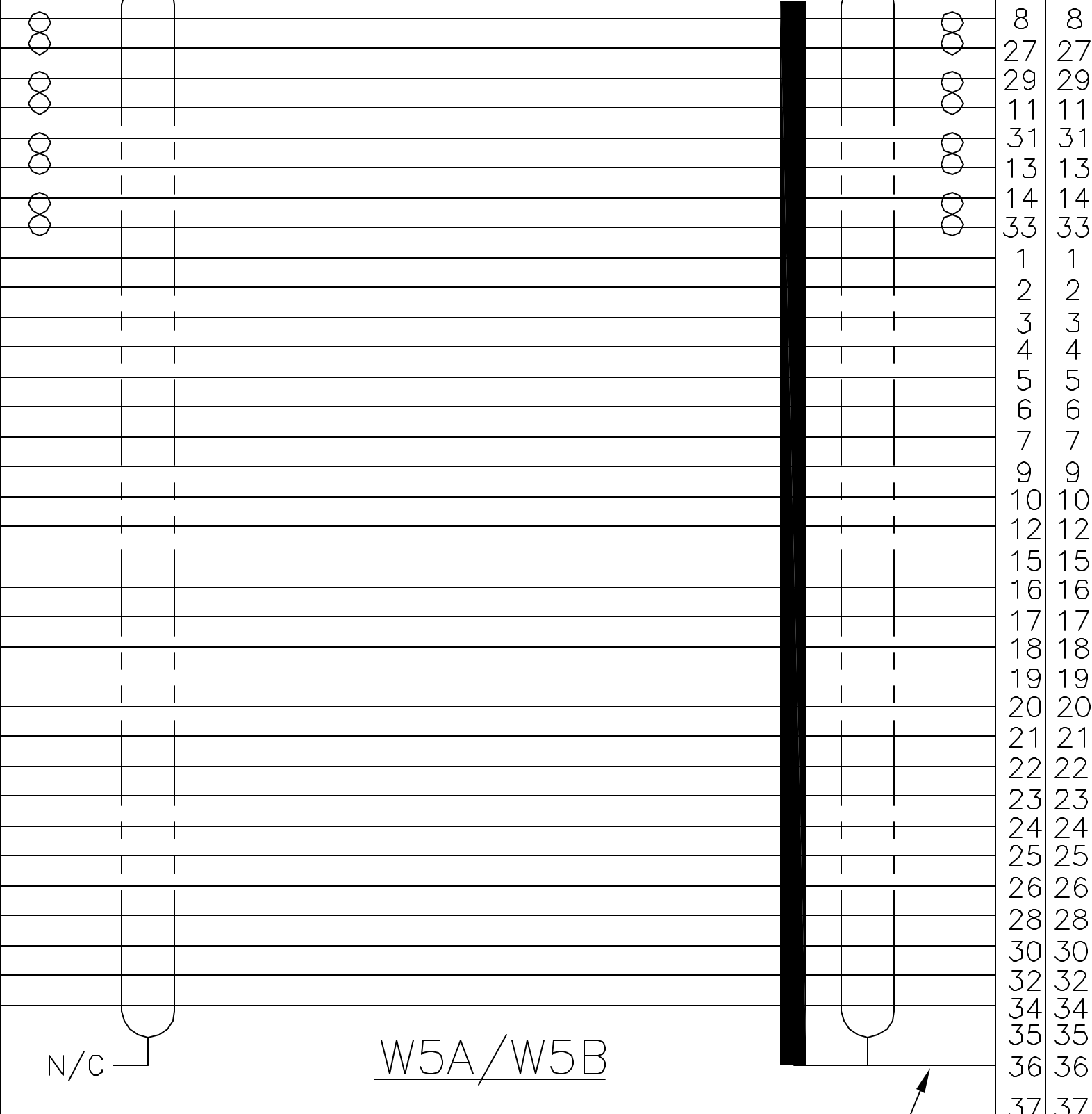
W5A-P2 (SND37F1000G)  
W5B-P2  
W20A-P2  
W20B-P2 SST BRAID

(SND37M1000G) W5A-P5  
W5B-P6  
W20A-P5  
W20B-P6 SST BRAID

ALUMINUM TAPE

OUT-A (P5/6-8)  
RET-A (P5/6-27)  
OUT-B (P5/6-29)  
RET-B (P5/6-11)  
OUT-C (P5/6-31)  
RET-C (P5/6-13)  
OUT-D (P5/6-14)  
RET-D (P5/6-33)  
P1-IA (P5/6-1)  
DR-D (P5/6-2)  
RD (P5/6-3)  
P3-FS (P5/6-4)  
DR-B (P5/6-5)  
P1-OR-AC (P5/6-6)  
BJ (P5/6-7)  
P2-OR-AC (P5/6-9)  
P1-OR-BD (P5/6-10)  
P1-FS (P5/6-12)  
NC  
P3-IA (P5/6-16)  
ID (P5/6-17)  
IG (P5/6-18)  
OPEN  
OG (P5/6-20)  
RG (P5/6-21)  
P2-FS (P5/6-22)  
SCP (P5/6-23)  
P2-OR-BD (P5/6-24)  
DR-A (P5/6-25)  
GND(SUB2) (P5/6-26)  
P3-OR (P5/6-28)  
GND(SUB3) (P5/6-30)  
DR-C (P5/6-32)  
P2-IA (P5/6-34)  
OPEN  
OPEN  
OPEN

8 8  
27 27  
29 29  
11 11  
31 31  
13 13  
14 14  
33 33  
1 1  
2 2  
3 3  
4 4  
5 5  
6 6  
7 7  
9 9  
10 10  
12 12  
15 15  
16 16  
17 17  
18 18  
19 19  
20 20  
21 21  
22 22  
23 23  
24 24  
25 25  
26 26  
28 28  
30 30  
32 32  
34 34  
35 35  
36 36  
37 37



OUT-A (P2-8)  
RET-A (P2-27)  
OUT-B (P2-29)  
RET-B (P2-11)  
OUT-C (P2-31)  
RET-C (P2-13)  
OUT-D (P2-14)  
RET-D (P2-33)  
P1-IA (P2-1)  
DR-D (P2-2)  
RD (P2-3)  
P3-FS (P2-4)  
DR-B (P2-5)  
P1-OR-AC (P2-6)  
BJ (P2-7)  
P2-OR-AC (P2-9)  
P1-OR-BD (P2-10)  
P1-FS (P2-12)  
NC  
P3-IA (P2-16)  
ID (P2-17)  
IG (P2-18)  
OPEN  
OG (P2-20)  
RG (P2-21)  
P2-FS (P2-22)  
SCP (P2-23)  
P2-OR-BD (P2-24)  
DR-A (P2-25)  
GND(SUB2) (P2-26)  
P3-OR (P2-28)  
GND(SUB3) (P2-30)  
DR-C (P2-32)  
P2-IA (P2-34)  
OPEN  
OPEN → CHASSIS GND

P/O 30-10200 XIS-BDY-S0J2  
XIS-BDY-S1J2  
XIS-BDY-S2J2  
XIS-BDY-S3J2

W5A/W5B

W20A/W20B

26 AWG COPPER ALLOY

XIS-AE/TCE-01-J5/J6 (SND37F00T2G)  
XIS-AE/TCE-23-J5/J6 (SND37F00T2G)

NOTES:

1. POSITRONIC INDUSTRY CONNECTOR PART NUMBER

2. LEGEND

⊗ 26 AWG TWISTED PAIR COPPER ALLOY

— 26 AWG NICKEL STRANDED

SIZE	CAGE CODE	DWG. NO.	REV.
C	80230	30-05020.01	A
SCALE NONE		SHEET 2	

4

3



2

1

REVISIONS					
REV.	ECO NO.	DESCRIPTION	CHECKED	APPROVED	DATE
		SEE SHEET 1			

D

D

C

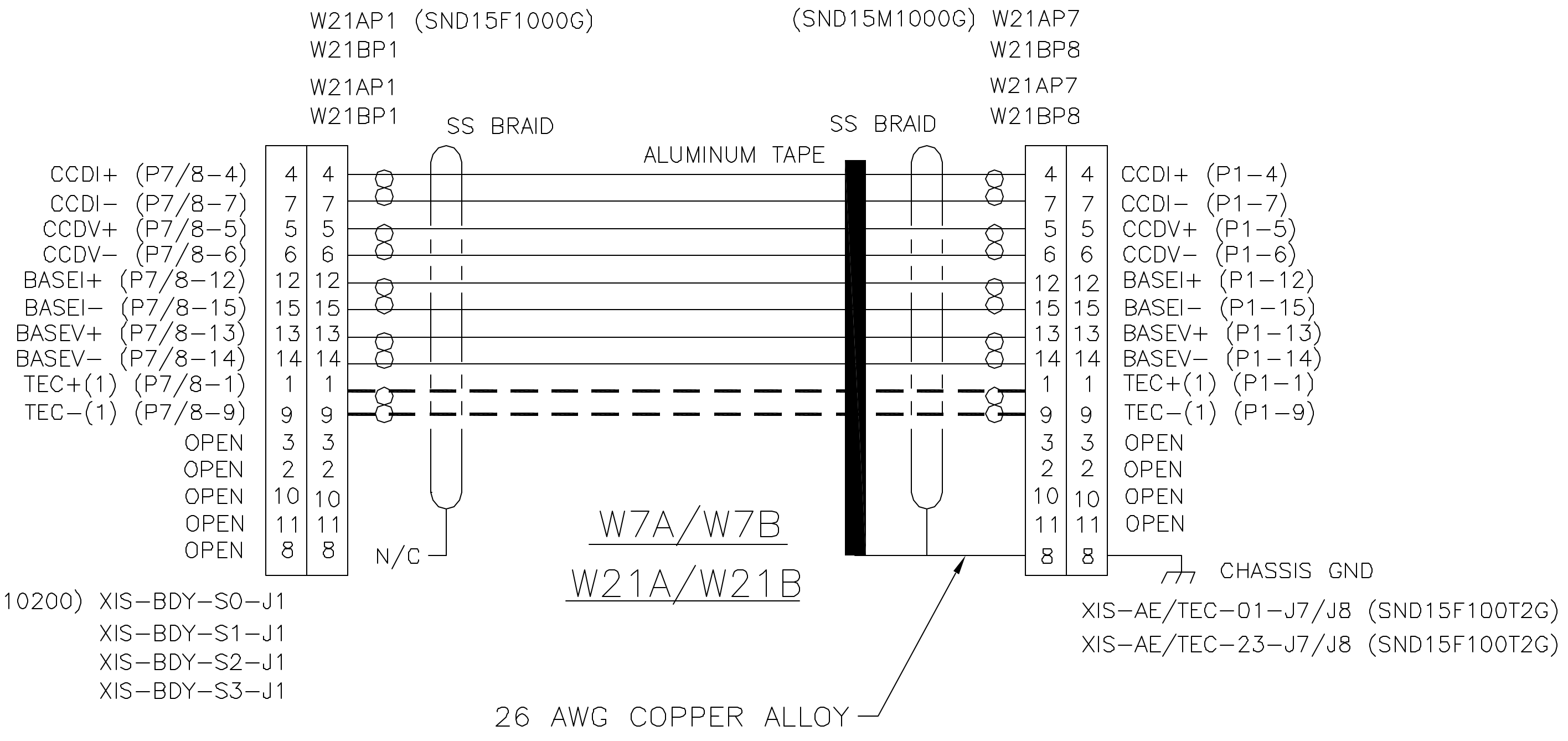
C

B

B

A

A



LEGEND

- 22 AWG TWISTED PAIR
- 20 AWG TWISTED PAIR

SIZE C	CAGE CODE 80230	DWG. NO. 30-05020.01	REV. A
SCALE NONE		SHEET 3	

4

3



2

1