

A

B

C

D

REVISIONS

Rev No.	ECO No.	Description	Checked	Approved	Date
01		Initial release			12/31/02
02		Sheet 19: Changed R173 from 1K to 2K			01/03/03
03		Sheet 12: Added R174 and R175. New ADC channel "ID-SWV"			01/07/03
04		Corrected pin swap on U35 (pins 1&3)			01/24/03

1

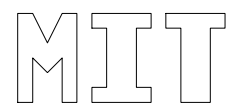
2

NOTES :

3

4

NAME	DATE
Drawn: filarosa	01/03/03
Checked:	
Approved:	
Released:	



CENTER FOR SPACE RESEARCH

ASTROE-2 DRIVER BOARD

Sheet filename:

Size B	Code Identification No.	Drawing No. 30-05001.05	Rev. B
Scale:	Sheet: 1 of 19		

A

B

C

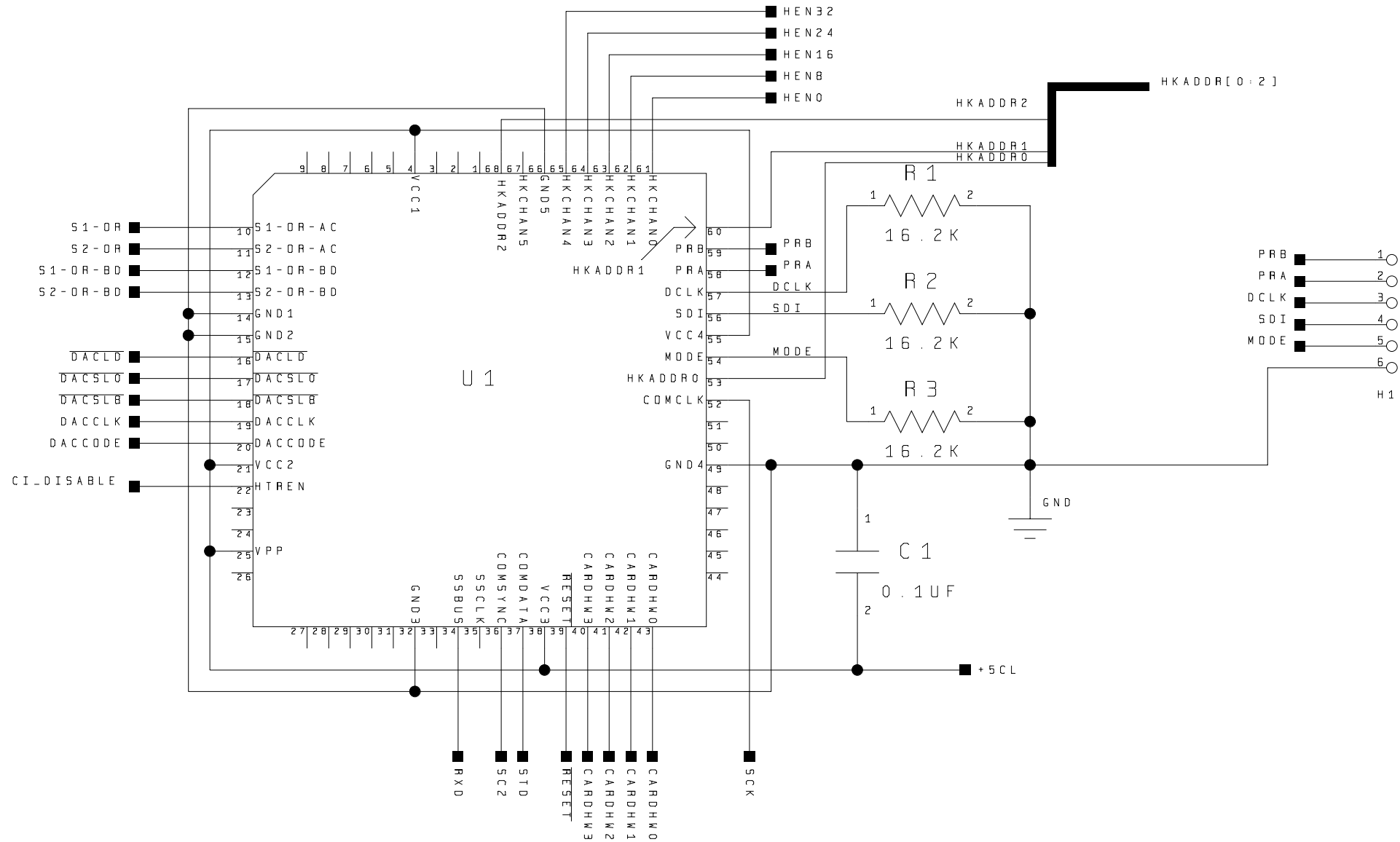
D

2

3

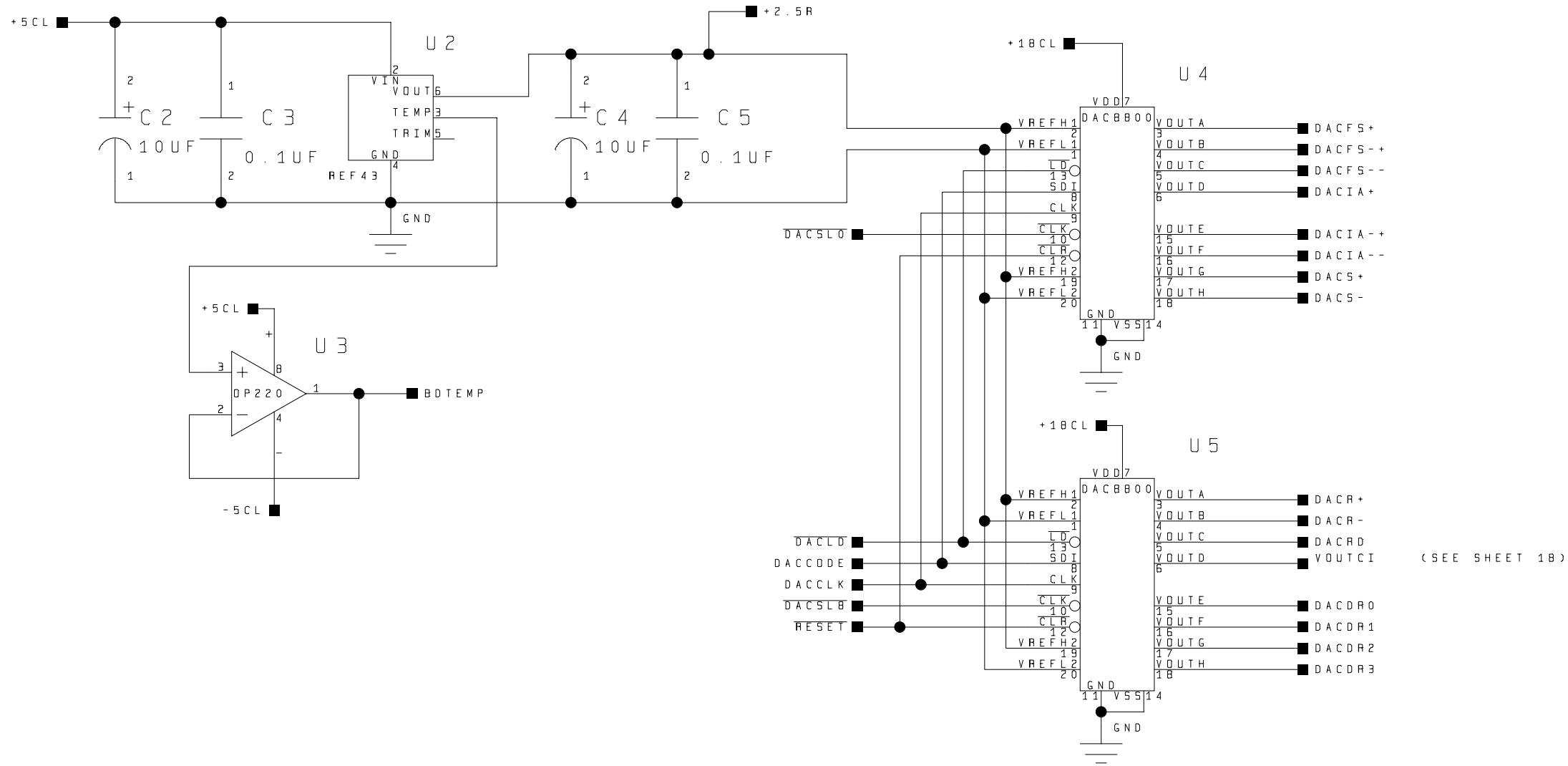
4

Driver Board Command Decoder



MIT Center for Space Research		CCD Laboratory	
ORIG: Tye Brady B/19/92		DRAWING: driver.2	
CHK: fjl1arosa 12/28/02	SIZE: B	SCALE: N/A	SHEET: REV=B

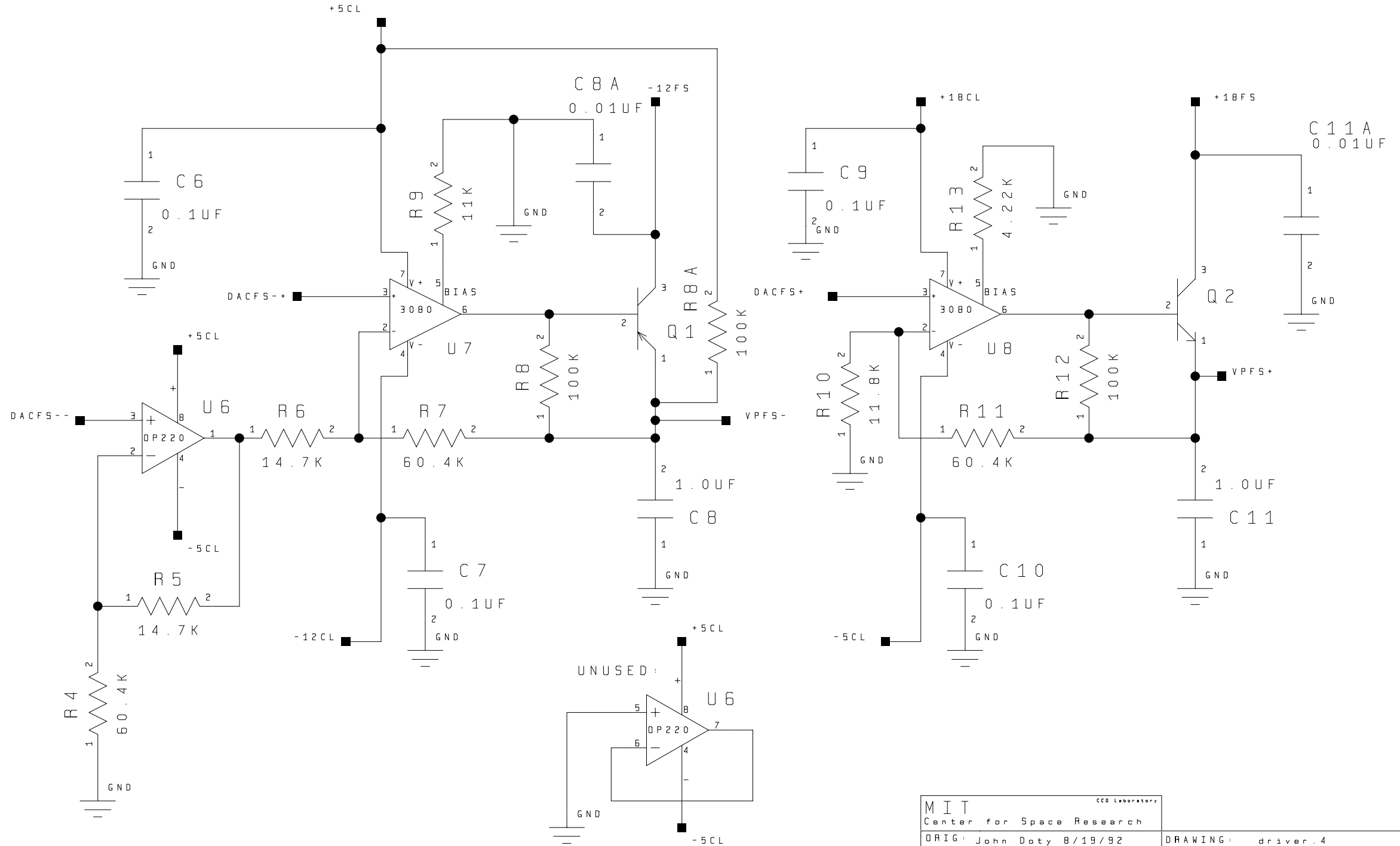
Driver Board DACs



(SEE SHEET 18)

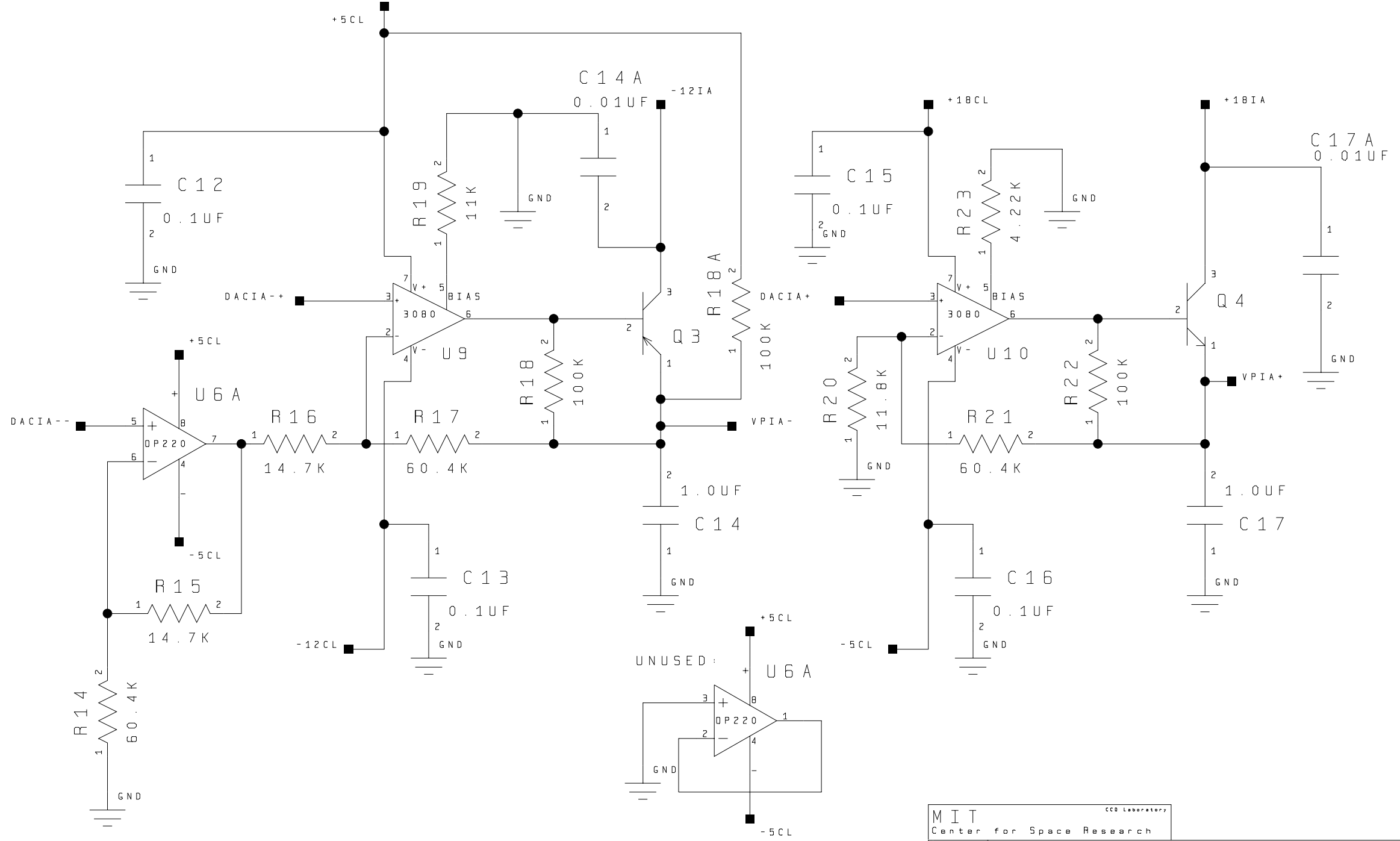
MIT Center for Space Research		CCD Laboratory	
ORIG: John Doty 8/19/92	DRAWING: driver.3		
CHK: fjlaraosa 12/23/02	SIZE: B	SCALE: N/A	SHEET: REV = B

FS Parallel Clock Regulators



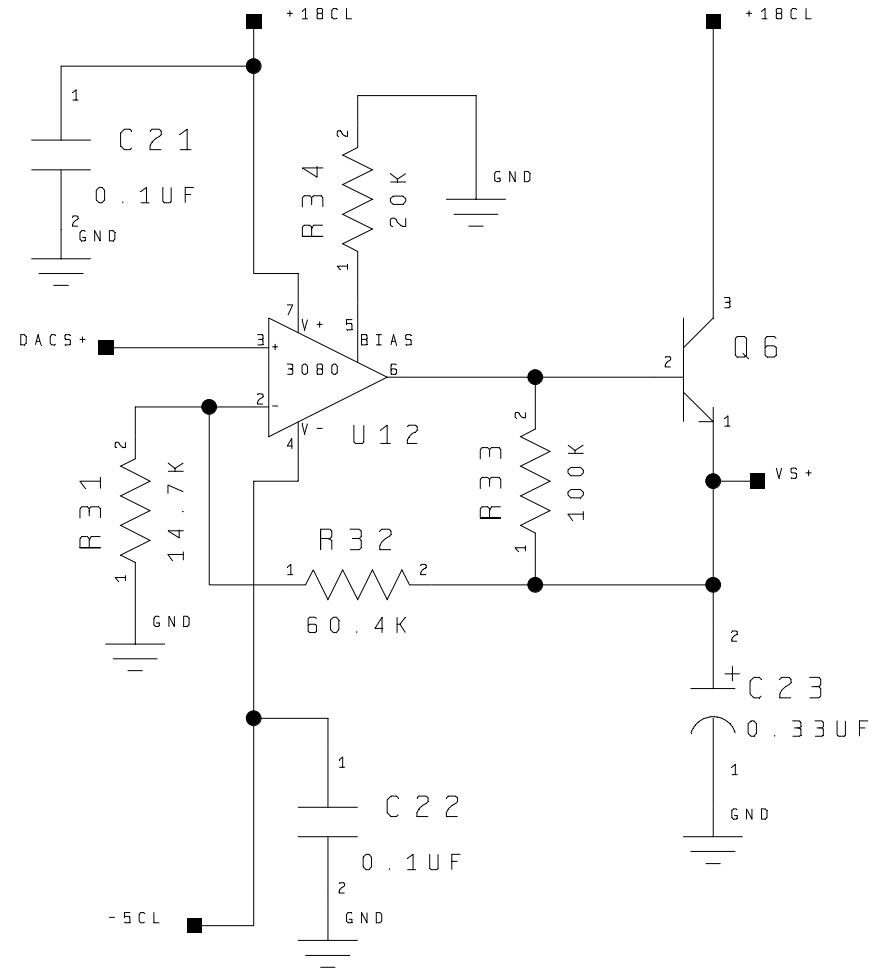
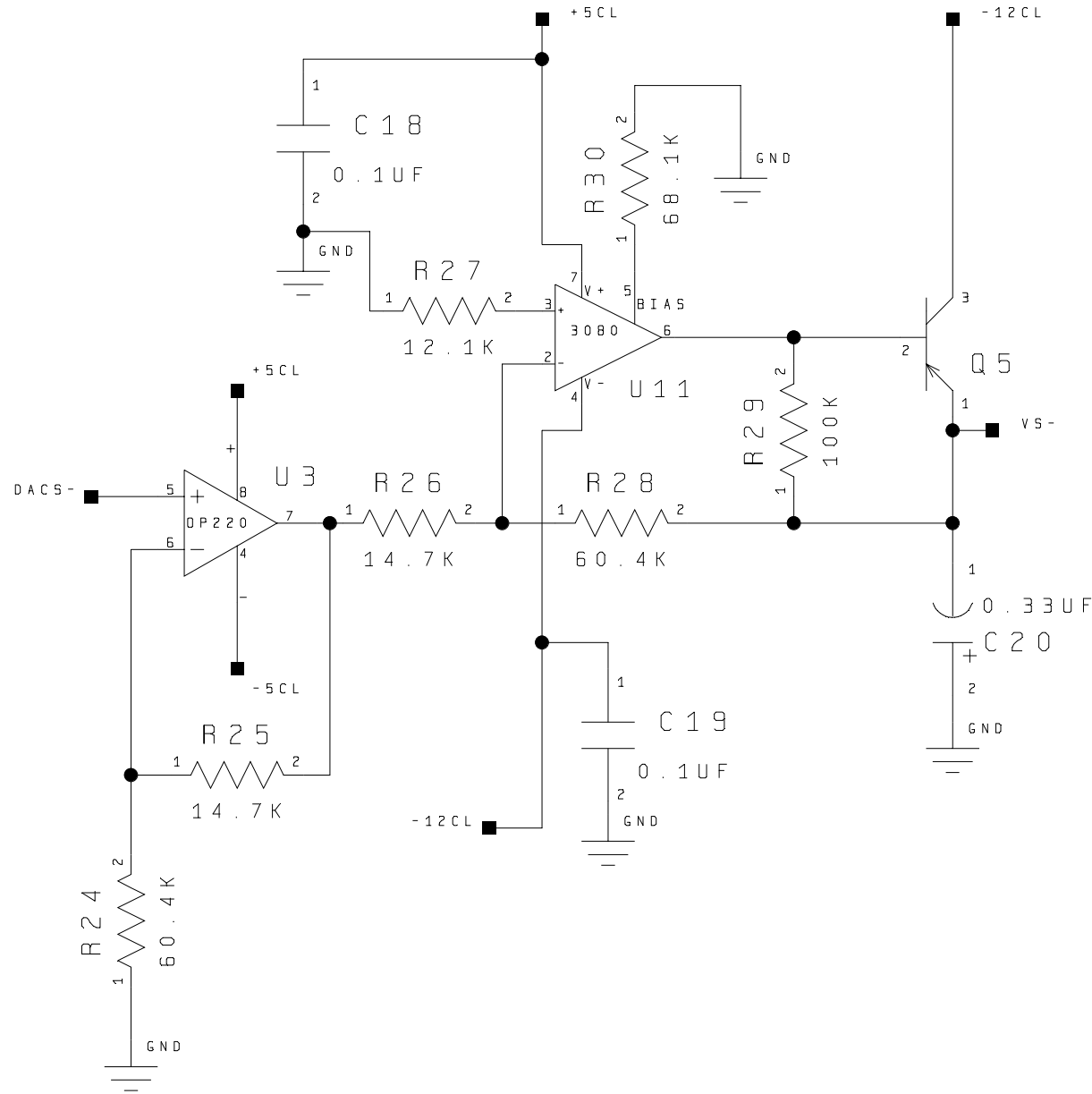
MIT		CCB Laboratory	
Center for Space Research			
ORIG: John Doty B/19/92		DRAWING: driver.4	
CHK: fjlarsosa 10/9/98	SIZE: B	SCALE: N/A	SHEET: REV=B

IA Parallel Clock Regulators



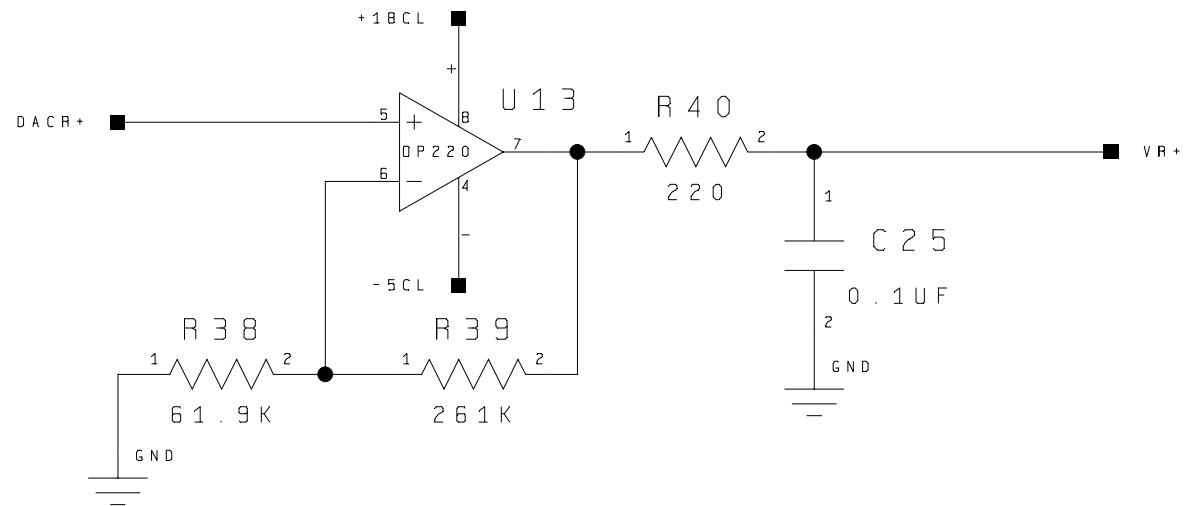
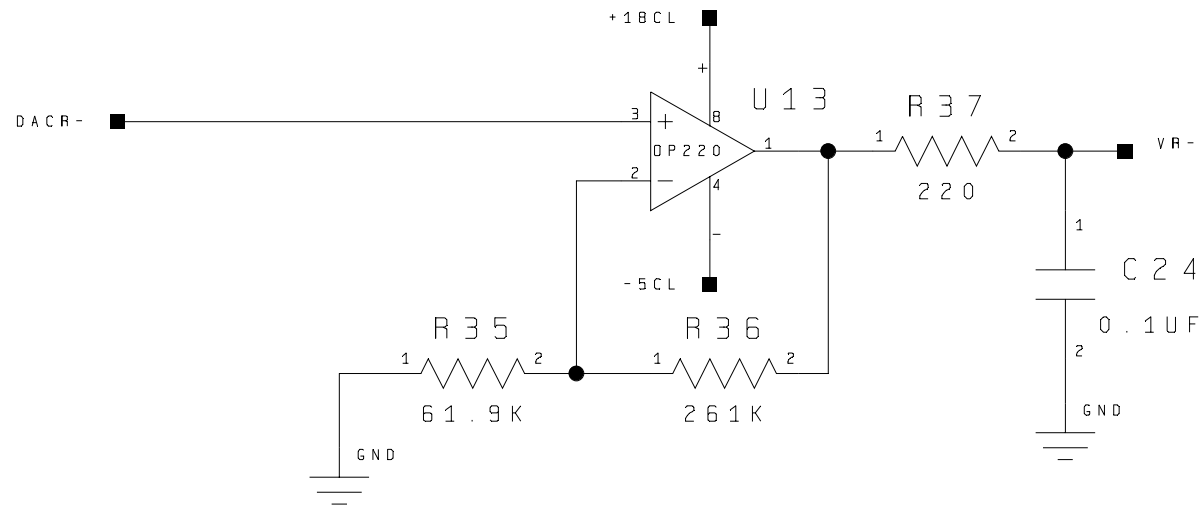
MIT Center for Space Research		CCB Laboratory	
ORIG: John Doty 8/19/92	DRAWING: driver.5		
CHK: fjl@rose 10/9/98	SIZE B	SCALE N/A	SHEET REV=B

Serial Clock Regulators



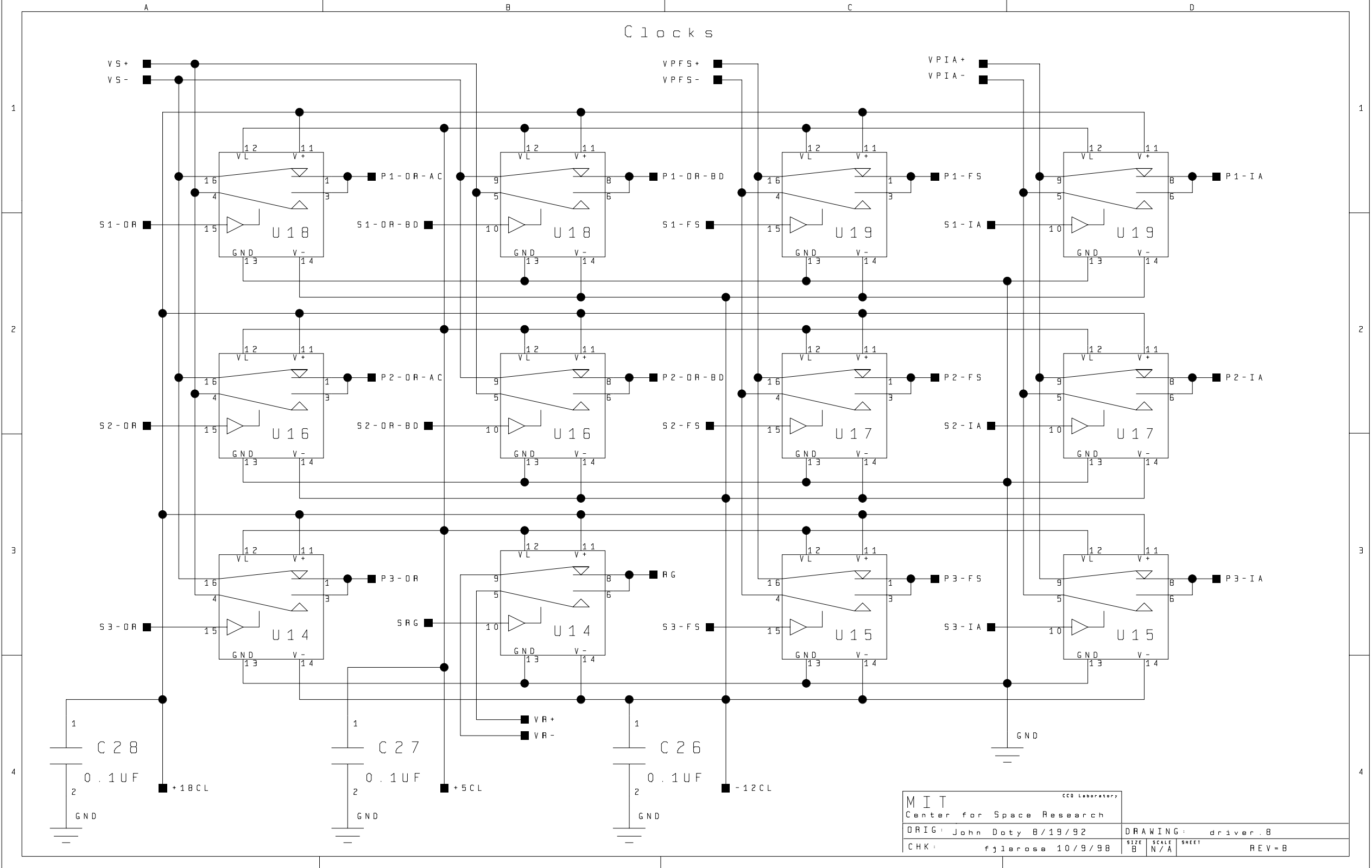
MIT		CCD Laboratory	
Center for Space Research			
ORIG: John Doty B/19/92		DRAWING: driver.6	
CHK: fjlrosa	10/9/98	SIZE: B	SCALE: N/A
		SHEET	REV = B

Reset Clock Regulators



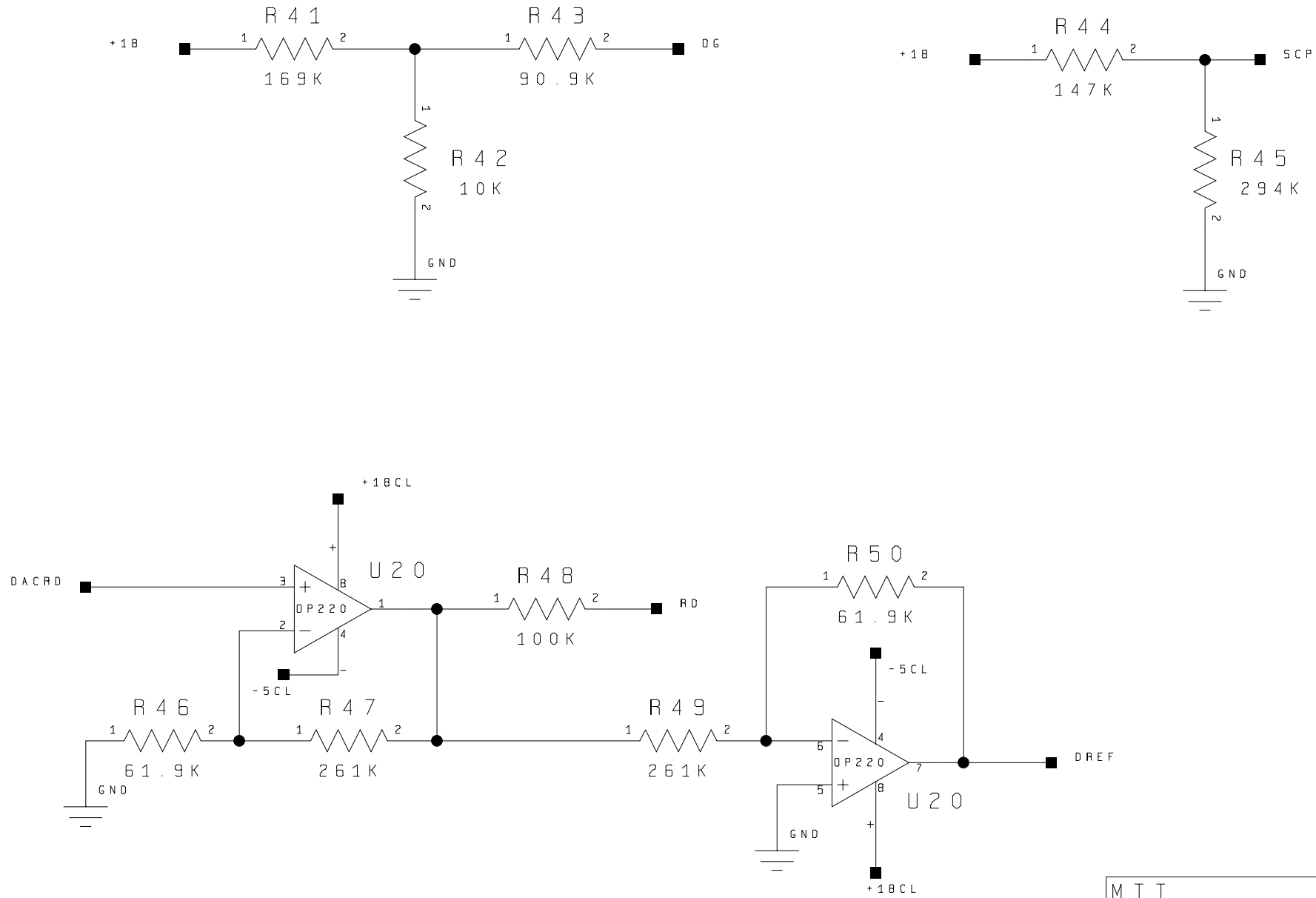
MIT		CCB Laboratory	
Center for Space Research			
ORIG: John Doty 8/19/92		DRAWING: driver.7	
CHK: fjlarsosa 10/9/98	SIZE: B	SCALE: N/A	SHEET: REV=B

Clocks



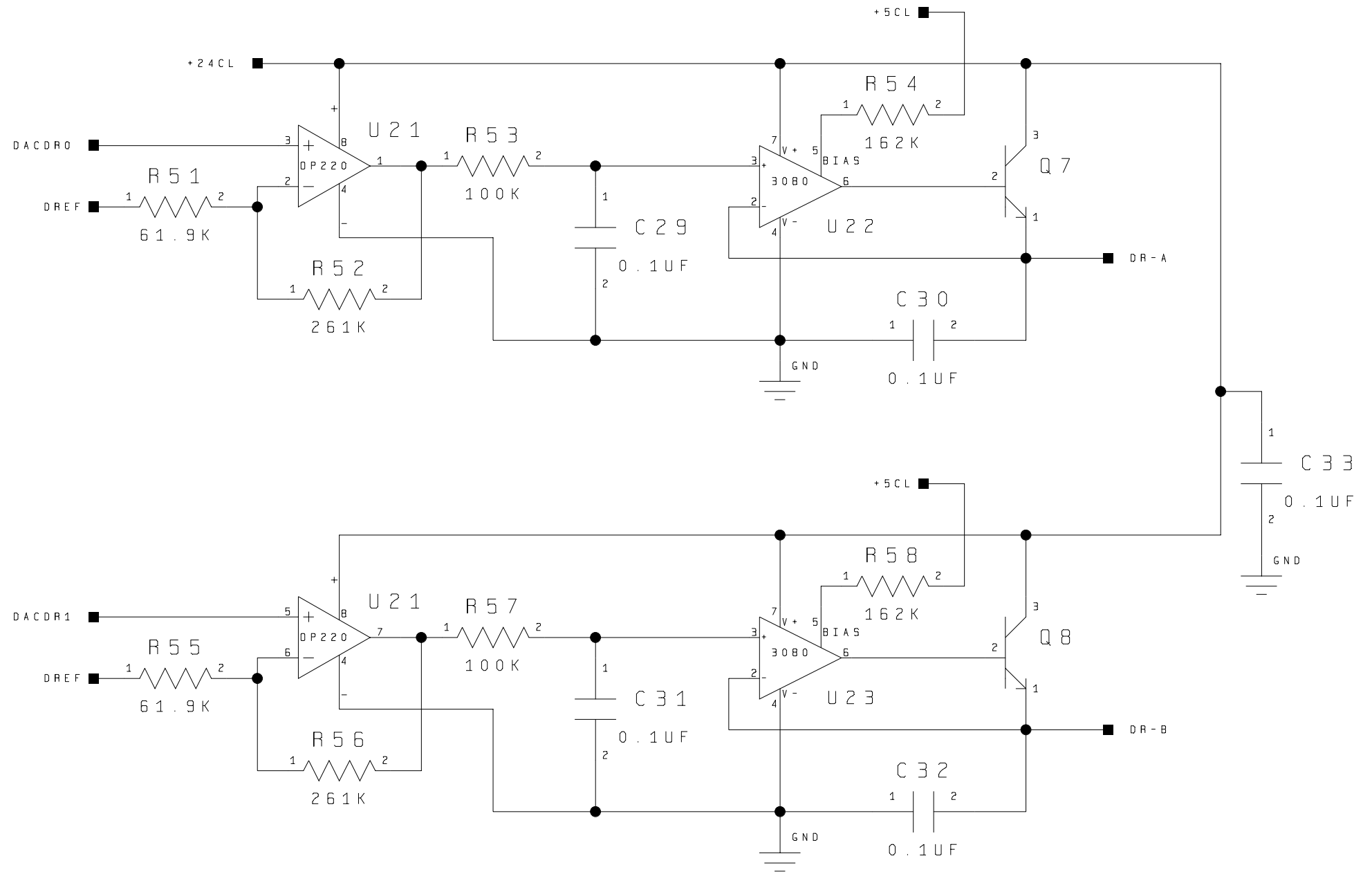
MIT		CCD Laboratory	
Center for Space Research			
DRIG: John Doty 8/19/92		DRAWING: driver.B	
CHK: fjl1erosa 10/9/98	SIZE: B	SCALE: N/A	SHEET: REV=B

Bias Regulators



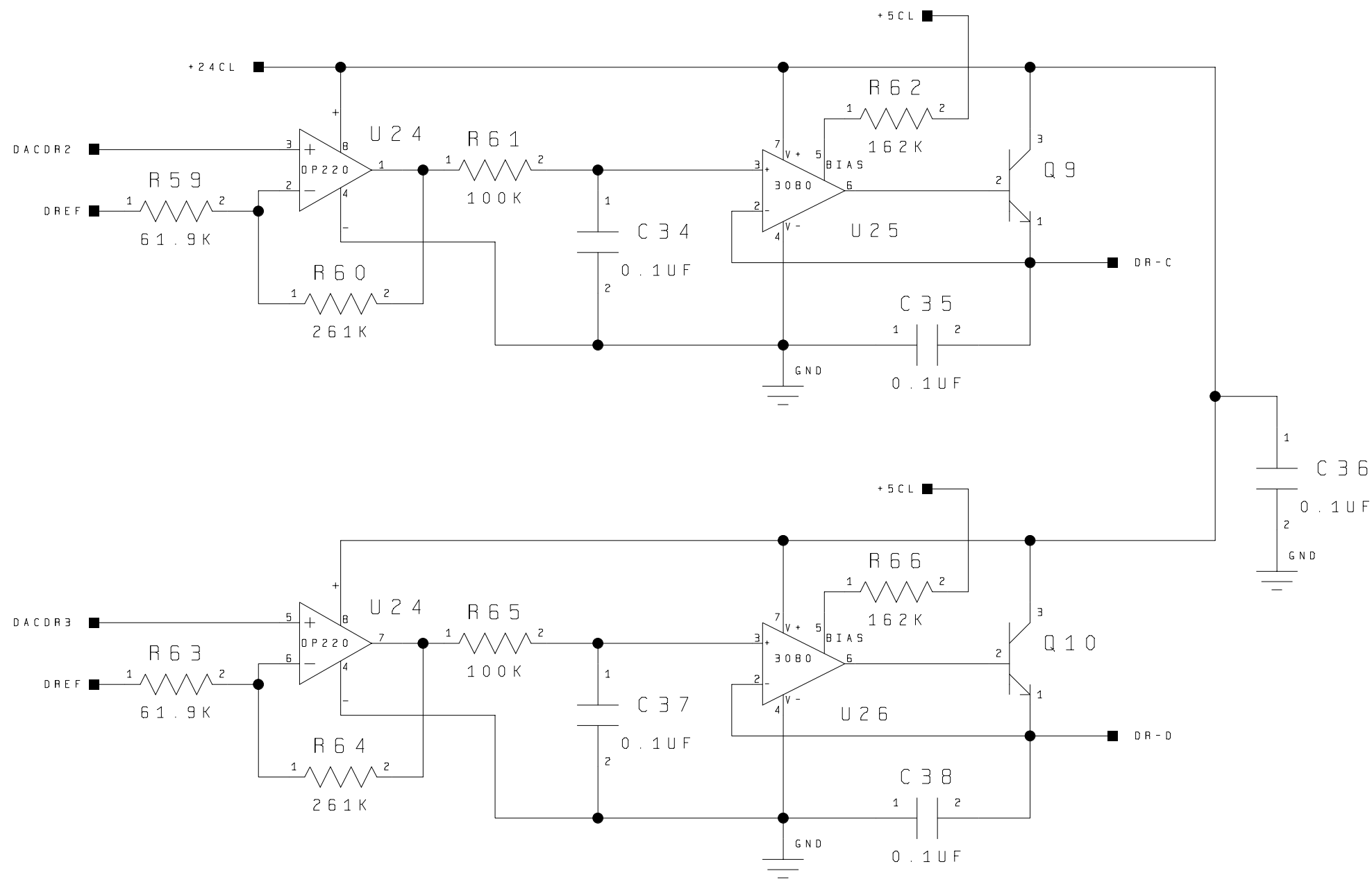
MIT		CCD Laboratory	
Center for Space Research			
ORIG: John Doty 8/19/92		DRAWING: driver.9	
CHK: fjl1arosa 10/9/98	SIZE B	SCALE N/A	SHEET REV=B

Drain Voltage Regulators (0.1)

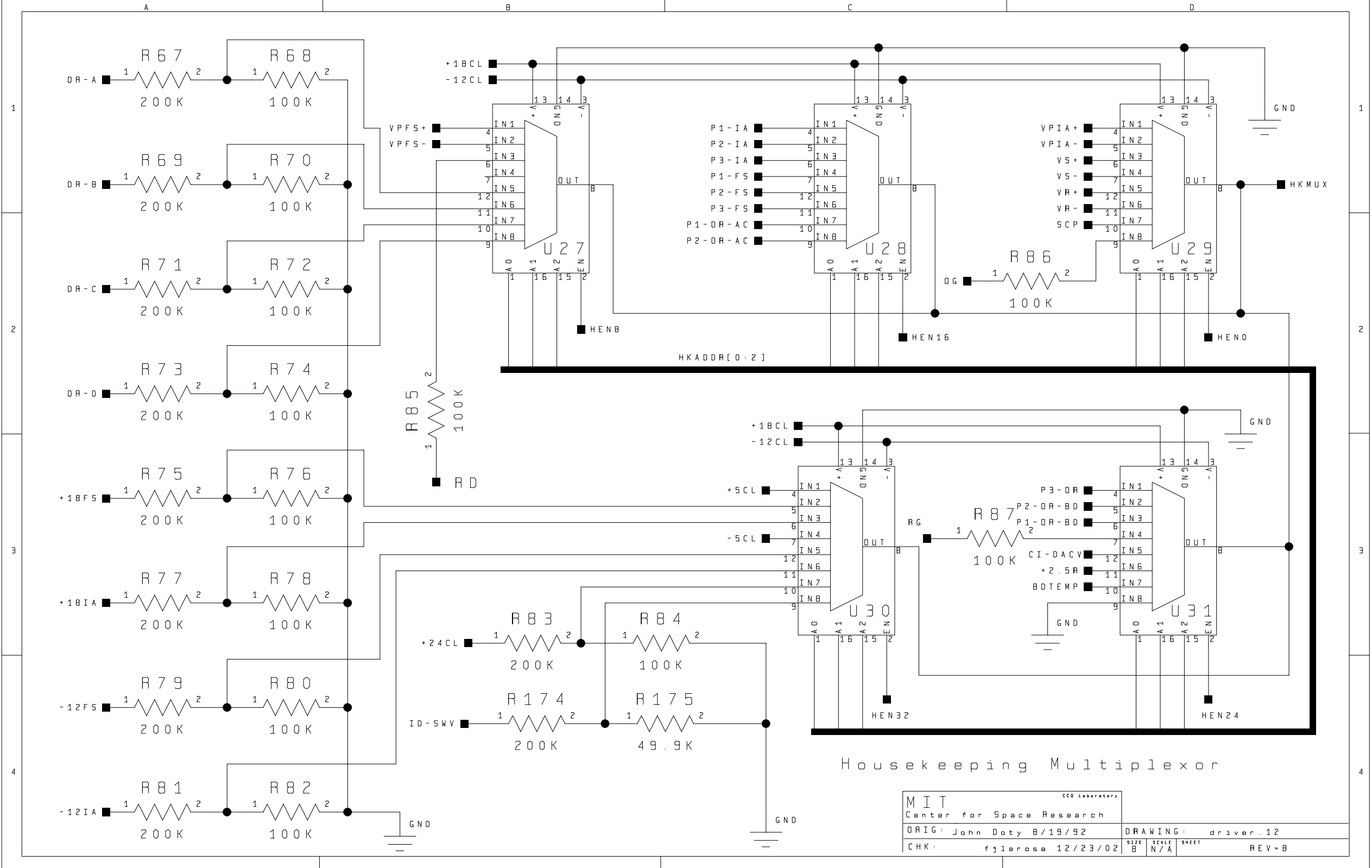


MIT		CCD Laboratory	
Center for Space Research			
ORIG: John Doty 8/19/92		DRAWING: driver.10	
CHK: fjlaraosa 10/9/98	SIZE: B	SCALE: N/A	SHEET: REV=B

Drain Voltage Regulators (2,3)

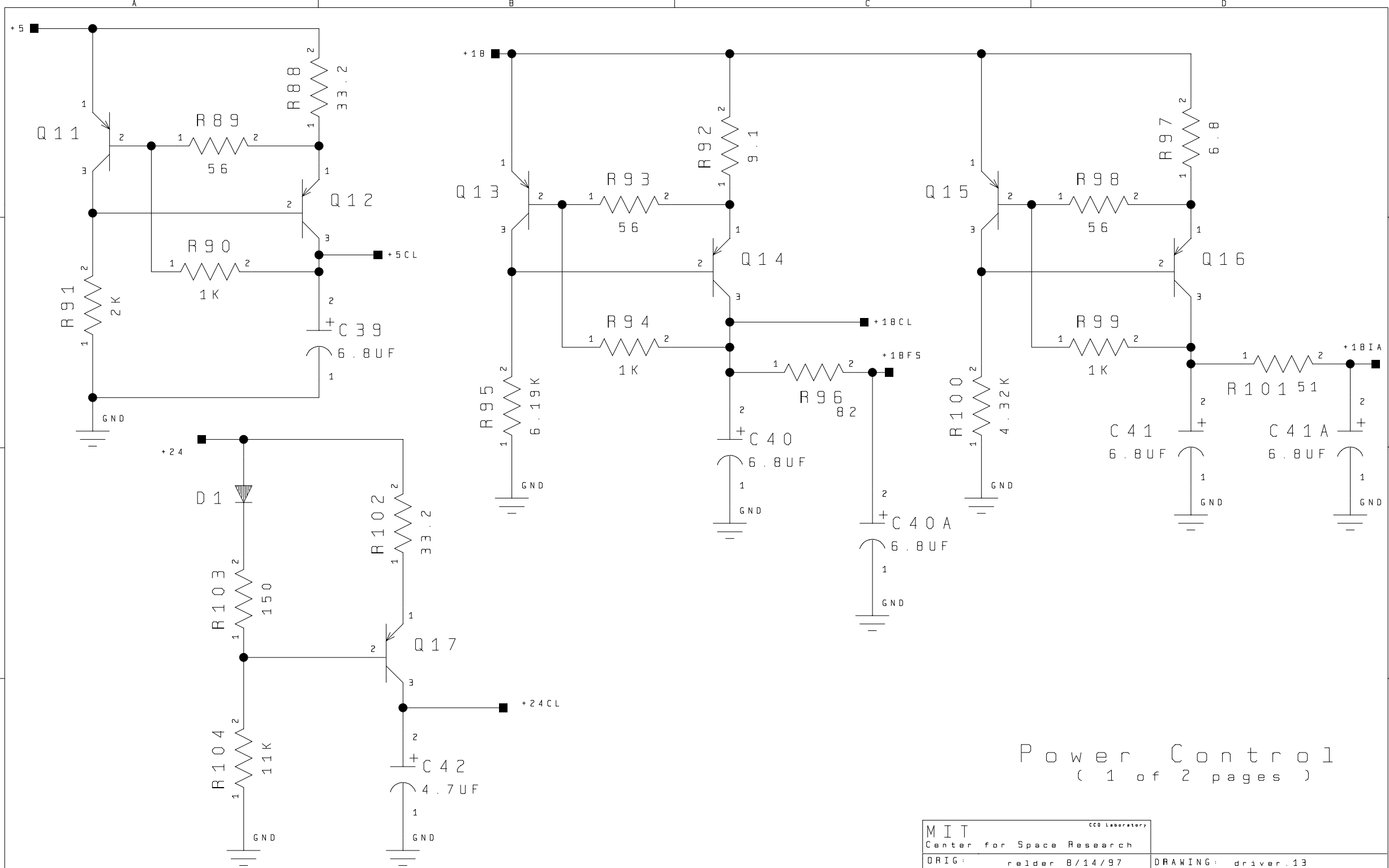


MIT Center for Space Research		CCD Laboratory	
DRIG: John Doty B/20/92	DRAWING: driver.11		
CHK: fjlarosa 10/9/98	SIZE: B	SCALE: N/A	SHEET: REV=B



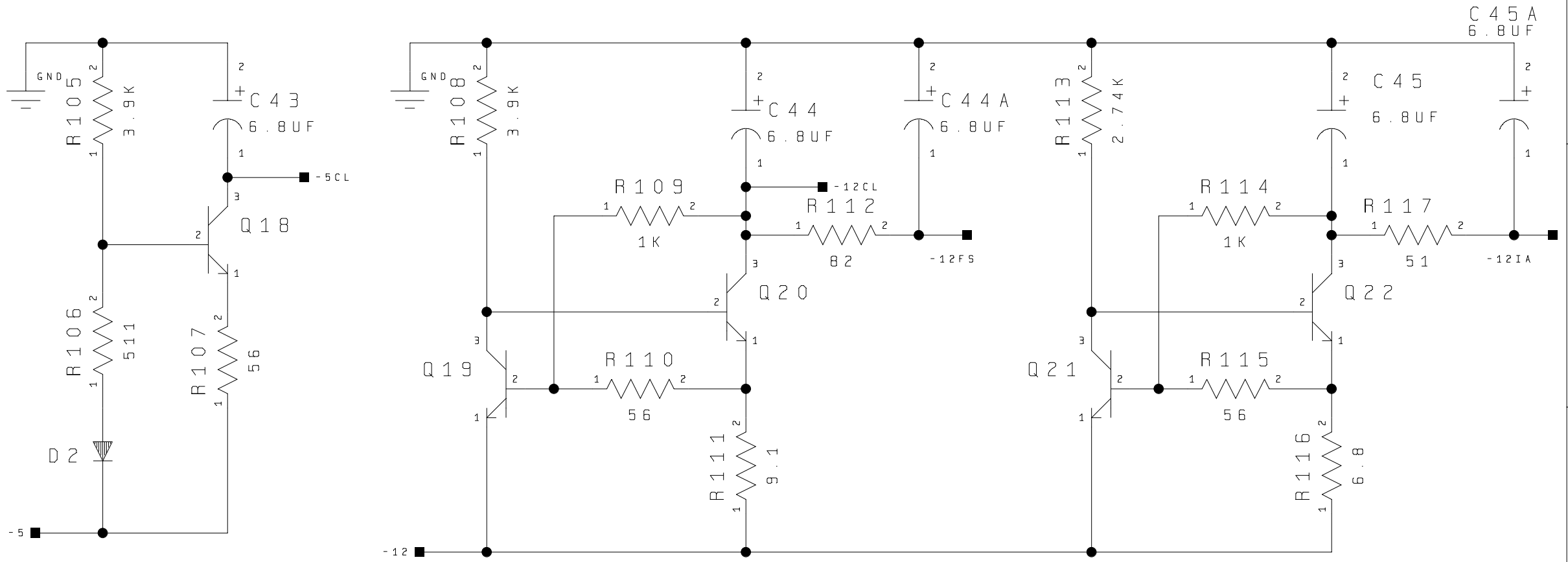
Housekeeping Multiplexor

MIT		CCD Laboratory	
Center for Space Research			
DRIG: John Doty B/19/92		DRAWING: driver.12	
CHK: fjl1eros	12/23/02	SCALE: N/A	SHEET: REV=B



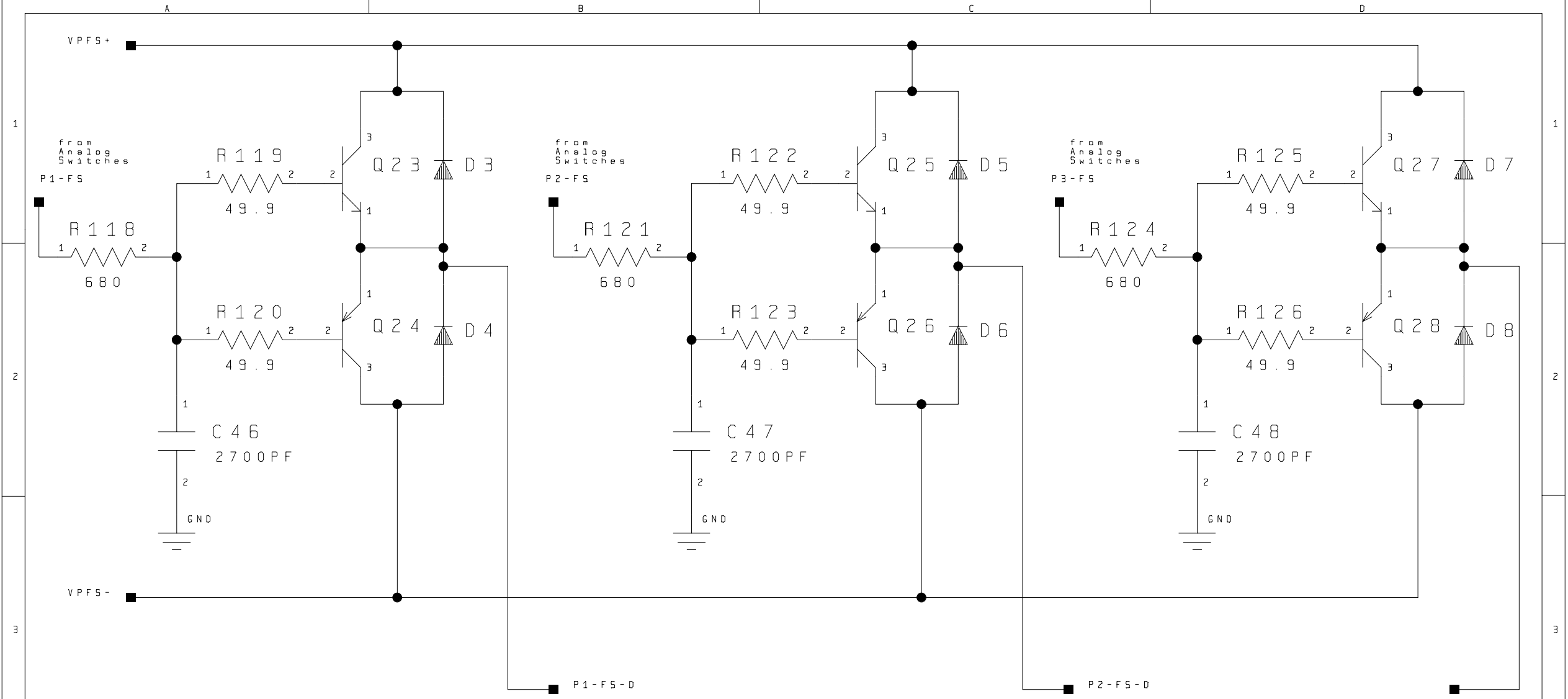
Power Control
(1 of 2 pages)

MIT Center for Space Research		CCB Laboratory	
ORIG:	reider 8/14/97	DRAWING:	driver.13
CHK:	fjl@rose 10/9/98	SIZE	B
		SCALE	N/A
		SHEET	REV=B



Power Control
(2 of 2 pages)

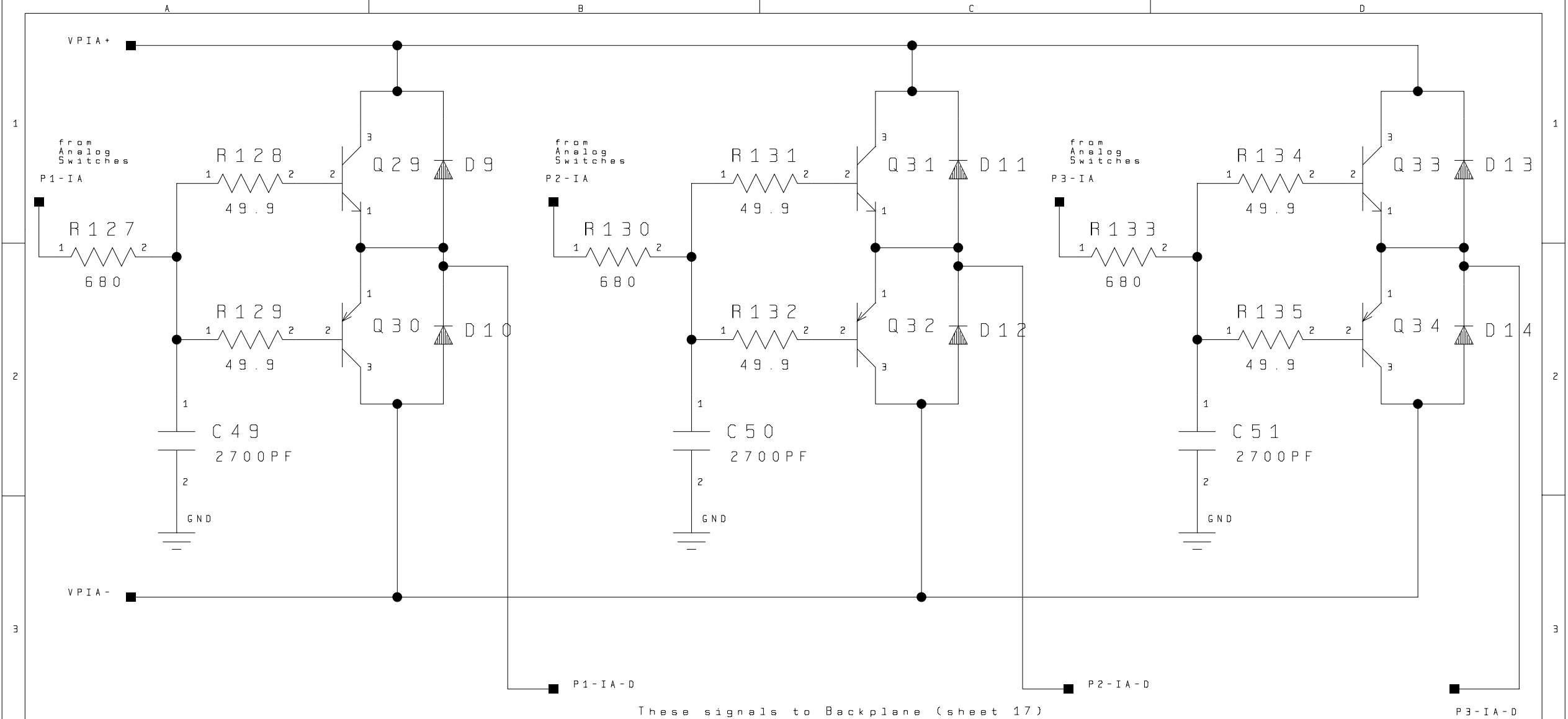
MIT Center for Space Research		CCD Laboratory	
ORIG:	reider B/14/97	DRAWING:	driver.14
CHK:	fjlarosa 10/9/98	SIZE	B
		SCALE	N/A
		SHEET	REV = B



These signals to Backplane (sheet 17)

Frame Store Push-Pull Drivers

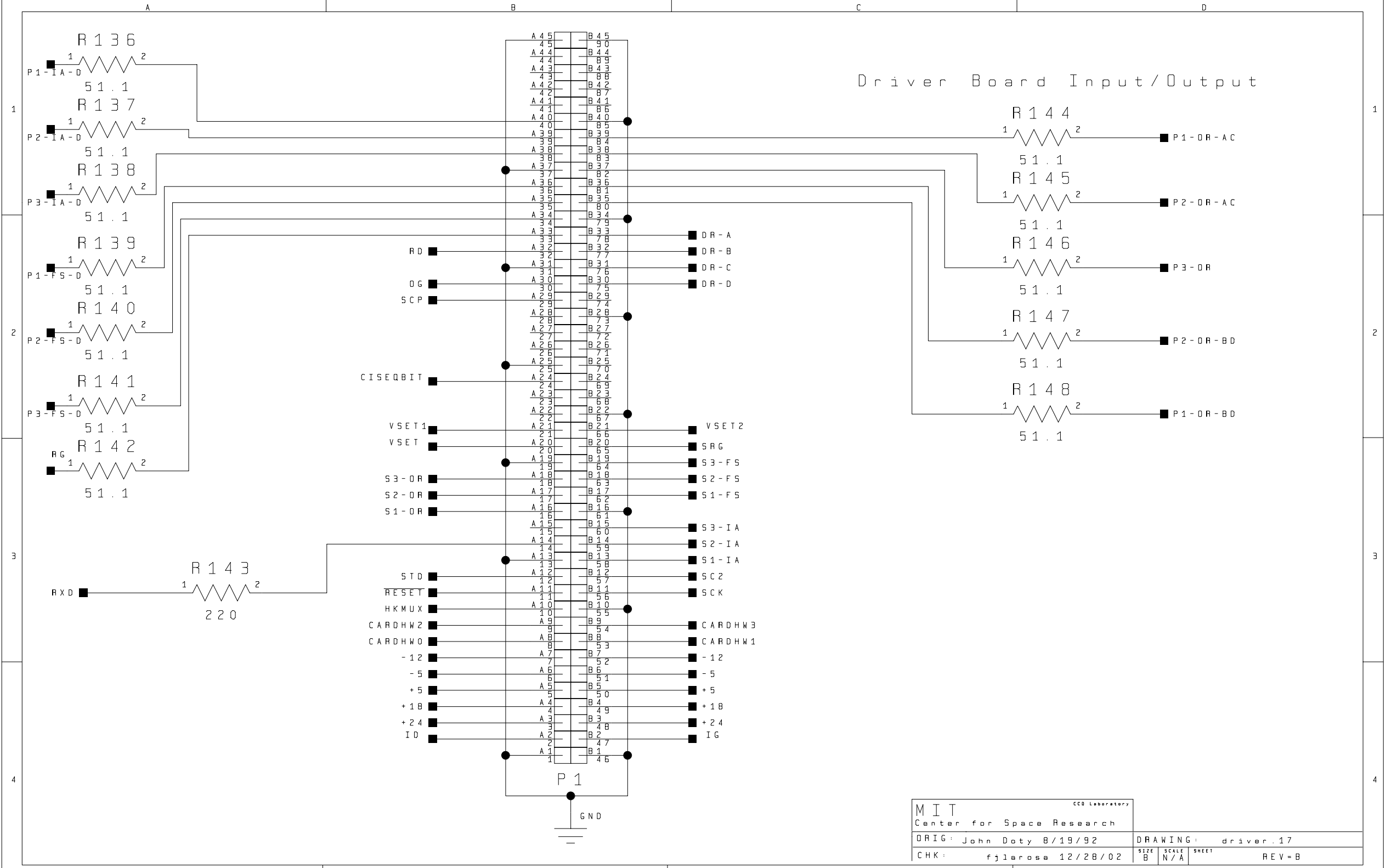
MIT Center for Space Research		CCD Laboratory	
ORIG:	relder	DRAWING:	driver.15
CHK:	fjlarosa 12/28/02	SIZE:	B
		SCALE:	N/A
		SHEET:	REV=B



These signals to Backplane (sheet 17)

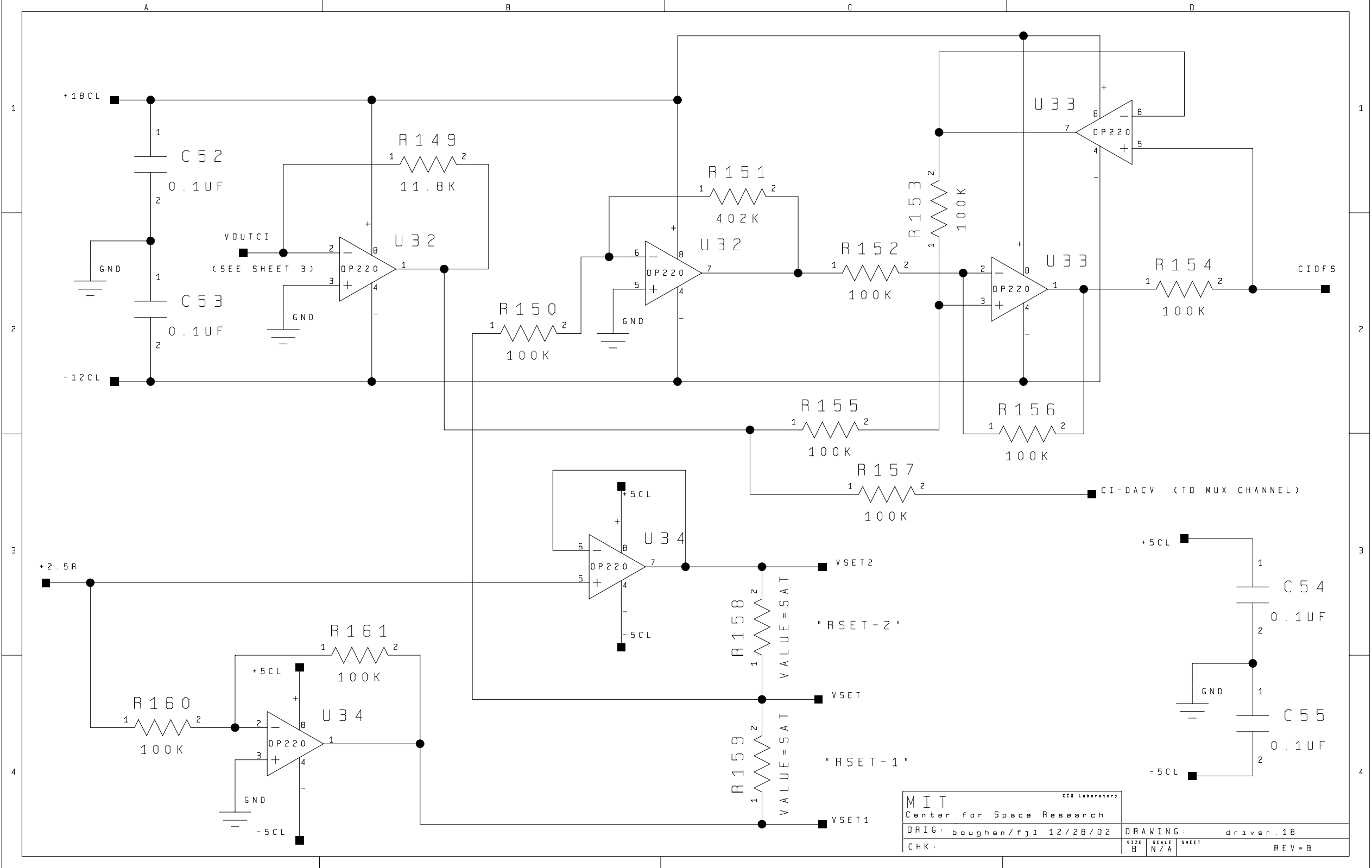
Imaging Area Push-Pull Drivers

MIT Center for Space Research		CCD Laboratory	
ORIG:	relder	DRAWING:	driver.16
CHK:	fjlarosa 12/28/02	SIZE:	B
		SCALE:	N/A
		SHEET:	REV=B

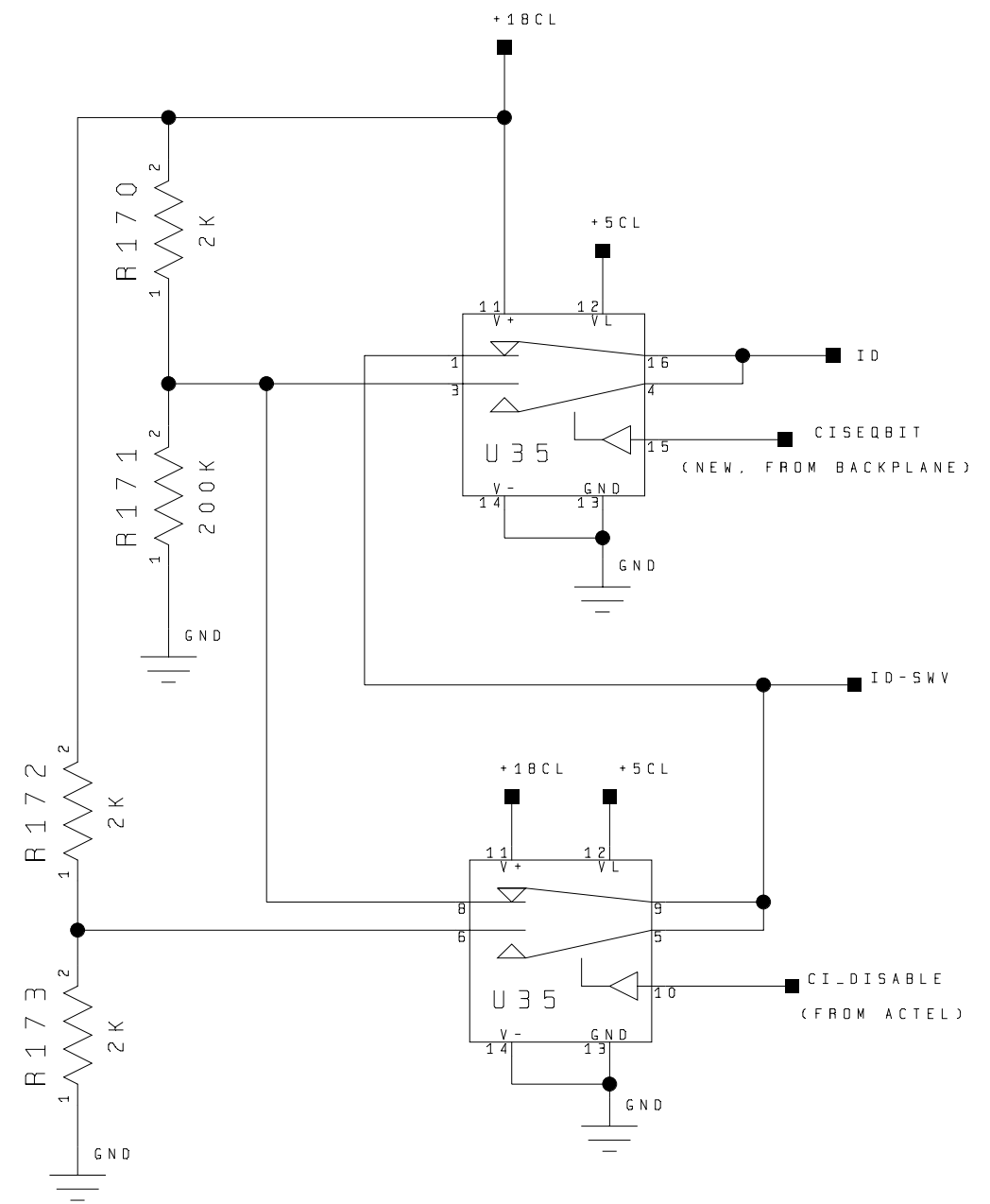
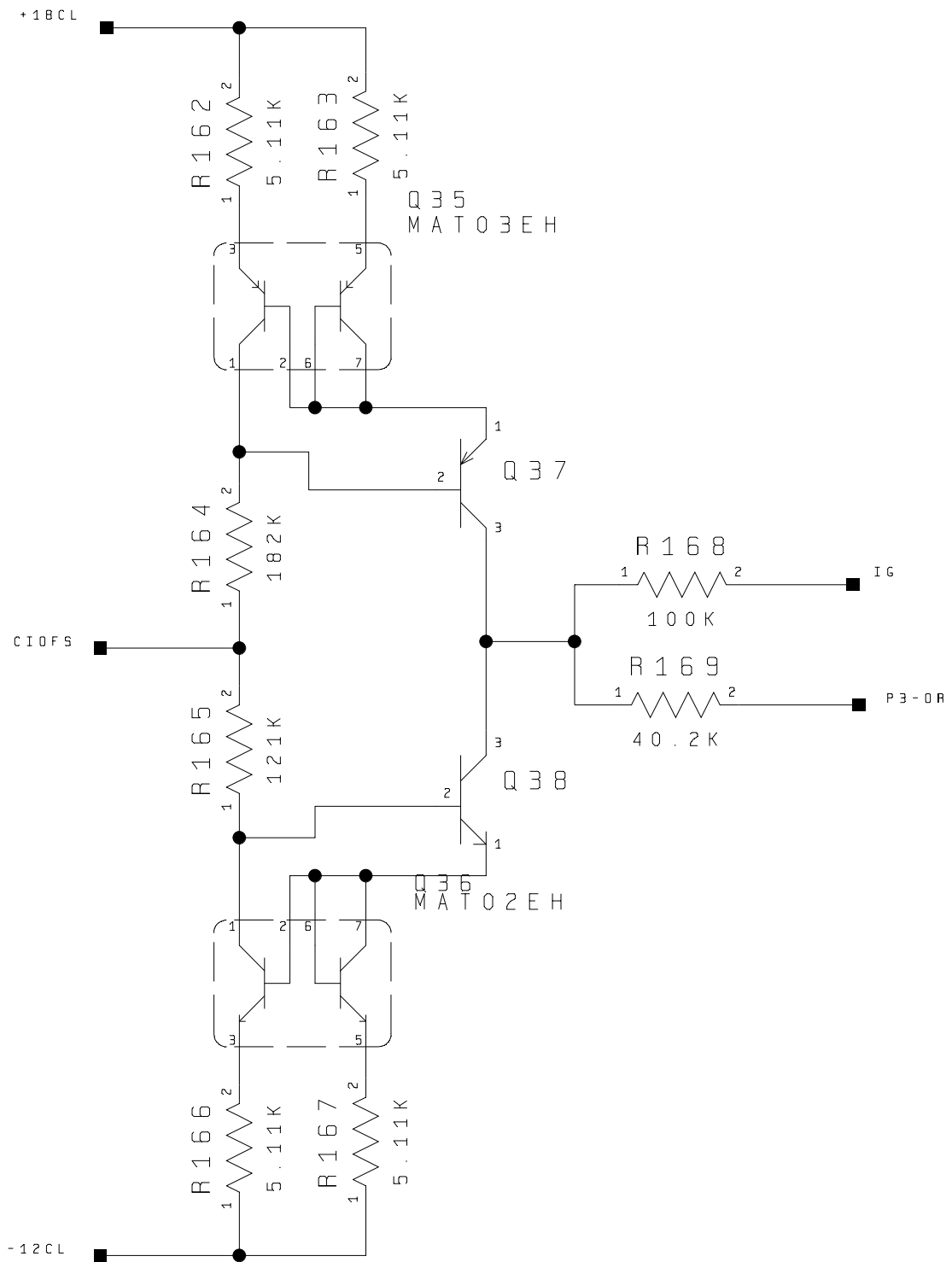


Driver Board Input/Output

MIT		CCD Laboratory	
Center for Space Research			
ORIG: John Doty B/19/92		DRAWING: driver.17	
CHK: fjl1arosa 12/28/02	SIZE: B	SCALE: N/A	SHEET: REV=B



MIT		CCB Laboratory	
Center for Space Research			
ORIG: boughan/fjl 12/28/02		DRAWING: driver.18	
CHK:	SIZE B	SCALE N/A	SHEET REV=B



MIT		CCD Laboratory	
Center for Space Research			
ORIG: boughan/fjl 12/28/02		DRAWING: driver.19	
CHK: FJL 1/3/03	SIZE B	SCALE N/A	SHEET REV=B