

A

B

C

D

REVISIONS

Rev No.	ECO No.	Description	Checked	Approved	Date
0.01		Initial release for EM2			
A		Flight release			

1

2

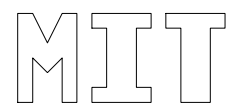
NOTES :

- 1. Component values are shown for reference only.
See parts list for controlled values.

3

4

NAME	DATE
Drawn: filarosa	10-9-98
Checked:	
Approved:	
Released:	



CENTER FOR SPACE RESEARCH

ASTROE-2 VIDEO BOARD

Sheet filename:

Size B	Code Identification No.	Drawing No. 30-05001.04	Rev. A
Scale:			Sheet: 1 of 16

A

B

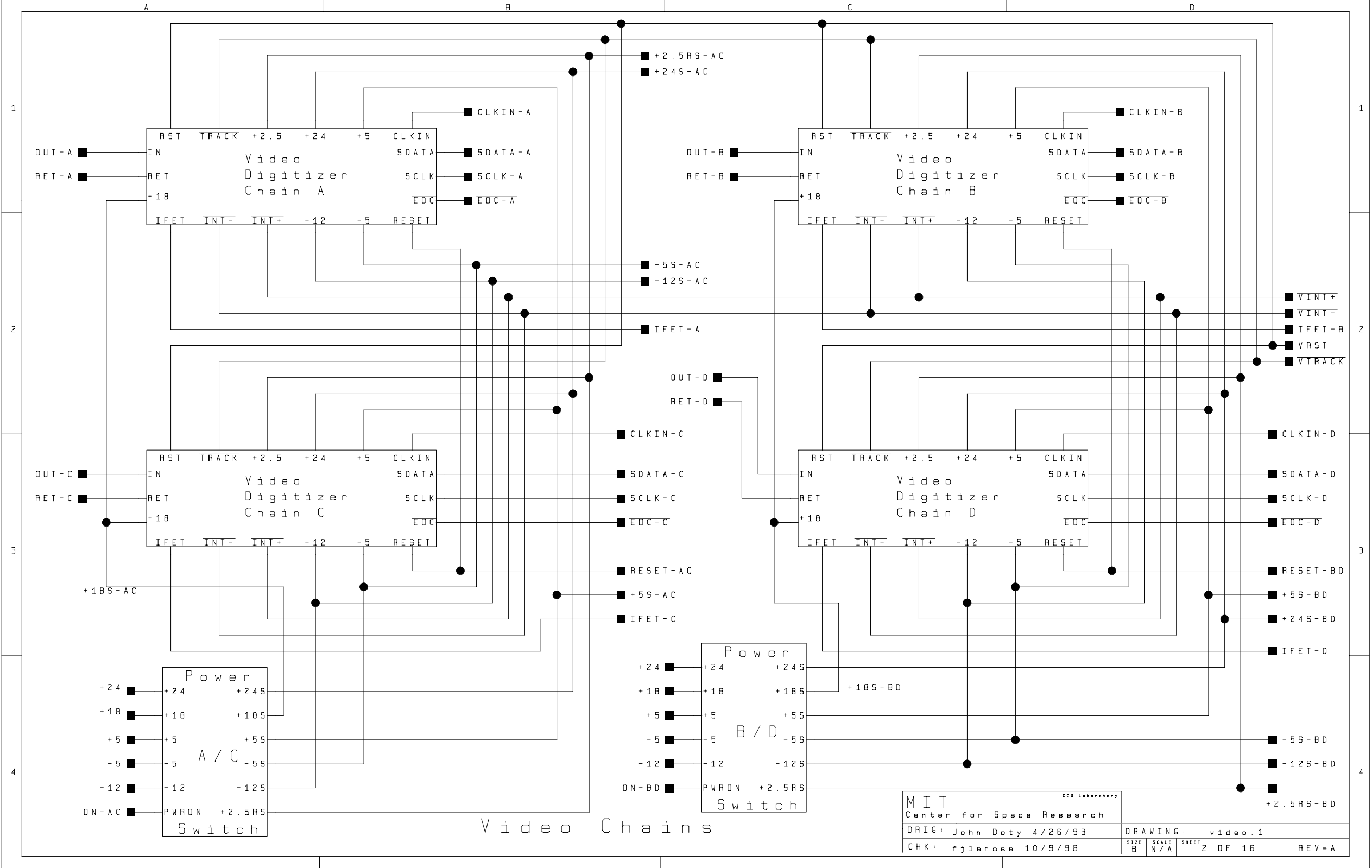
C

D

2

3

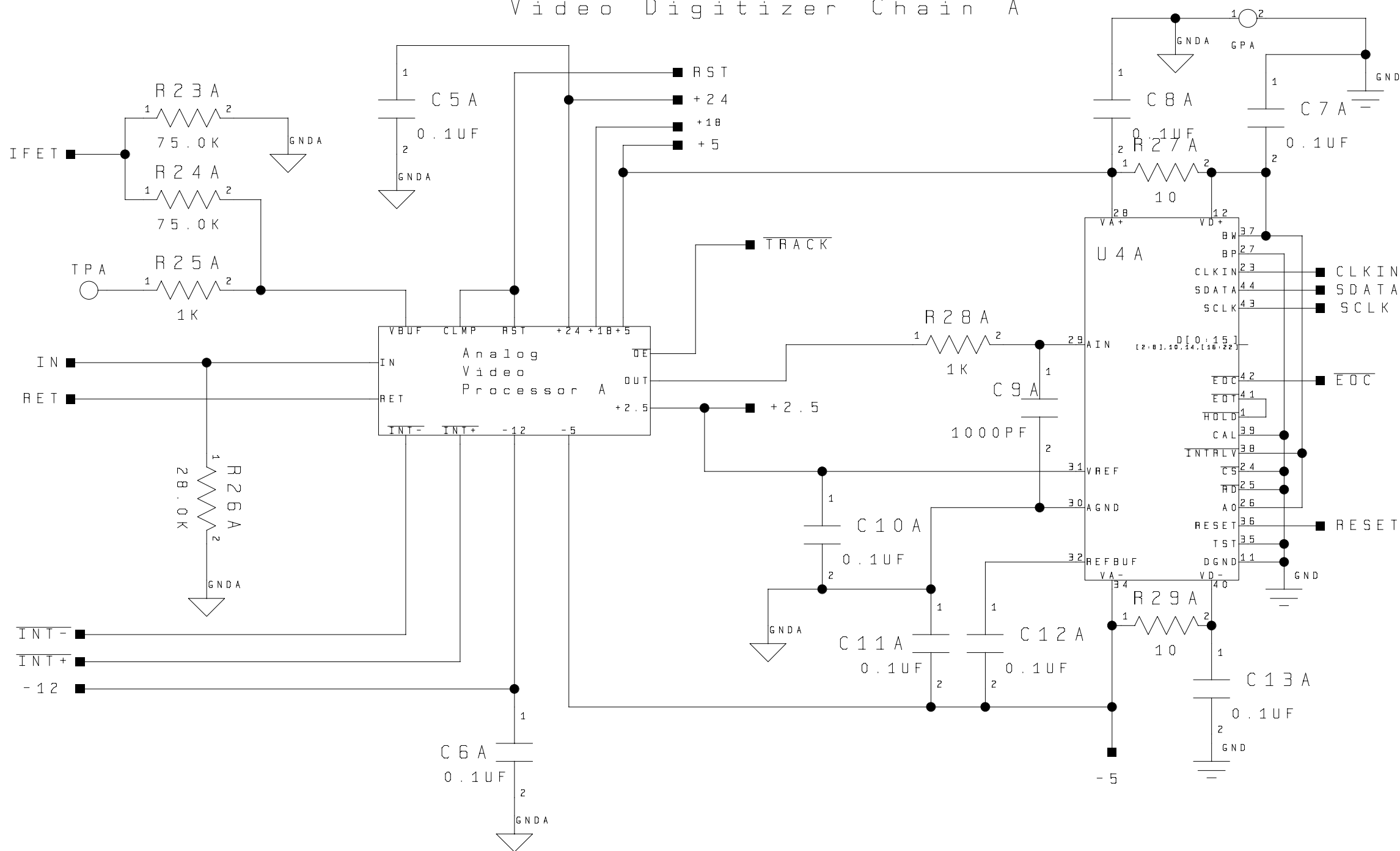
4



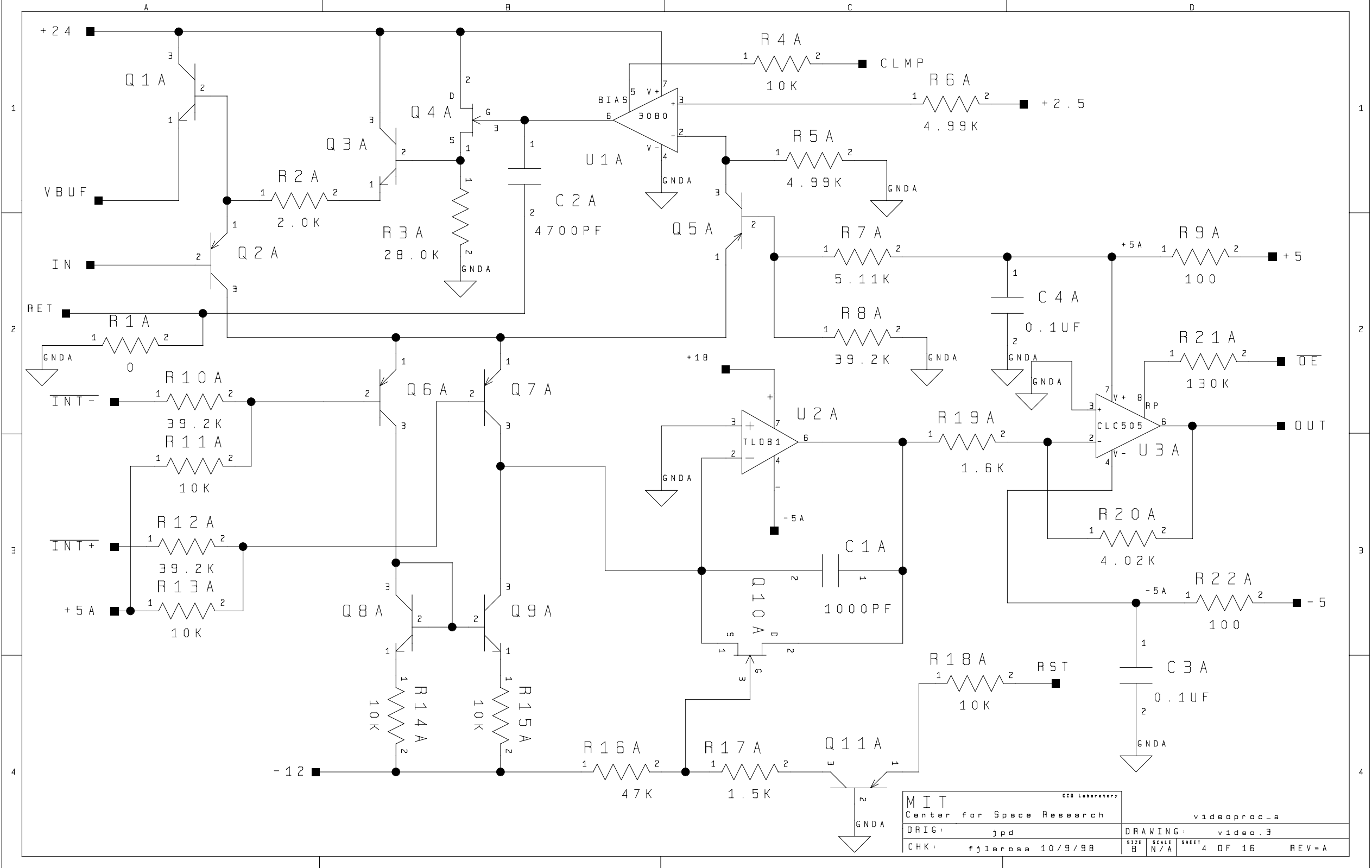
Video Chains

MIT Center for Space Research		CCD Laboratory	
DRIG: John Doty 4/26/93	SCALE: N/A	DRAWING: video.1	
CHK: fjlarose 10/9/98	SIZE: B	SHEET: 2 OF 16	
		REV: A	

Video Digitizer Chain A

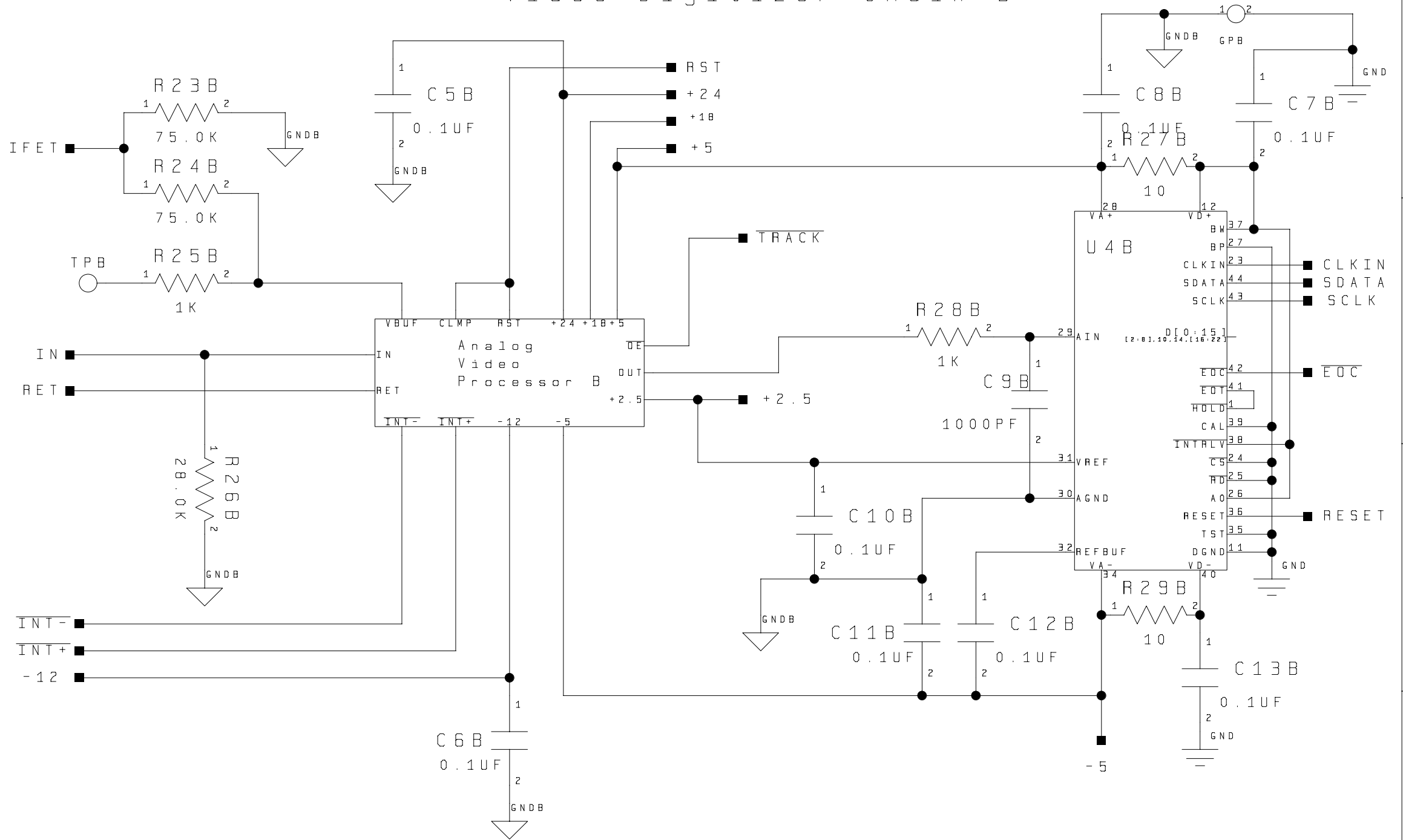


MIT Center for Space Research		CCD Laboratory	
DRIG:	jpd	DRAWING:	video.2
CHK:	fjlarosa 10/9/98	SIZE:	B
		SCALE:	N/A
		SHEET:	3 OF 16
		REV:	A

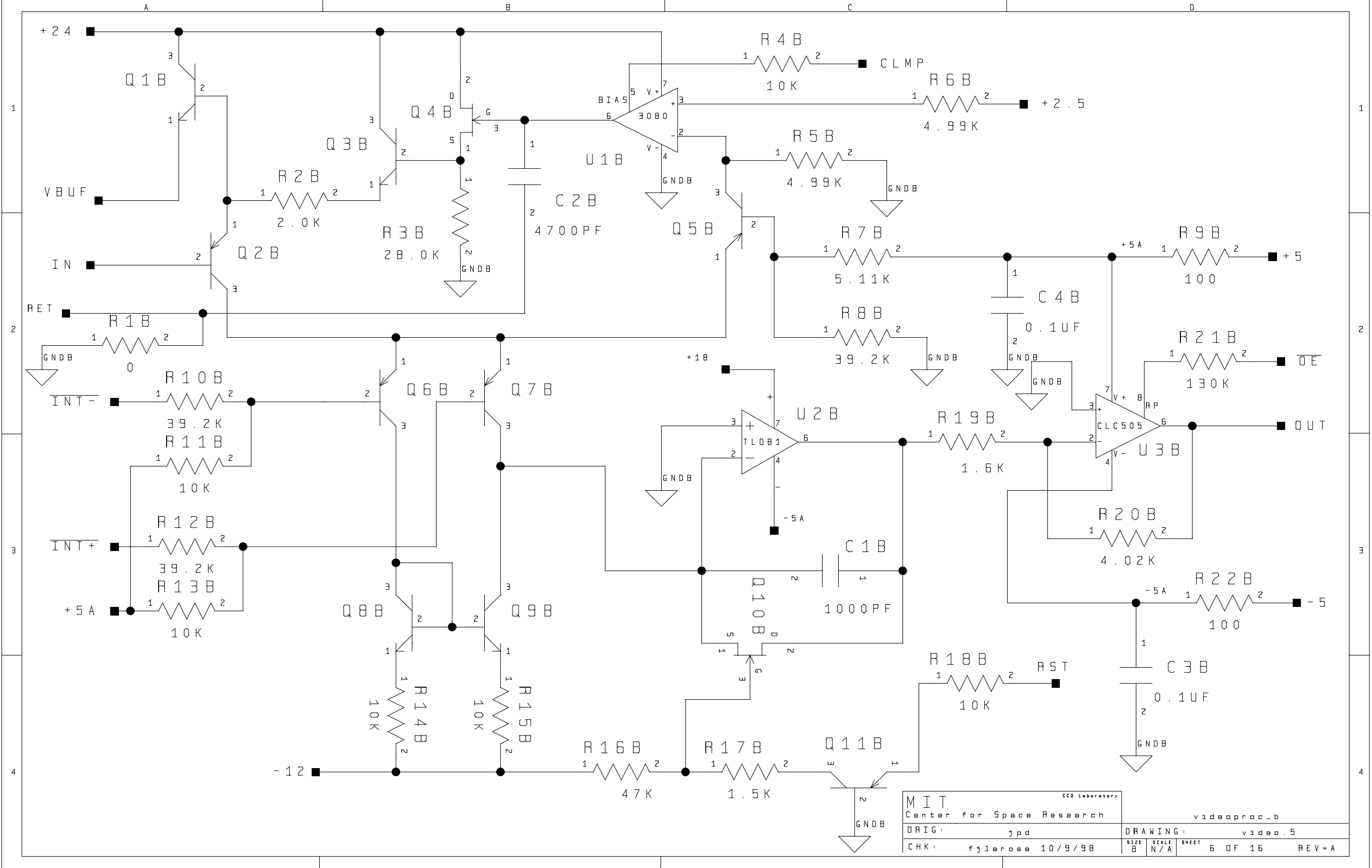


MIT Center for Space Research		CCD Laboratory	
DRIG: jpd		DRAWING: video.3	
CHK: fj1erosa 10/9/98	SIZE: B	SCALE: N/A	SHEET: 4 OF 16
		REV: A	

Video Digitizer Chain B

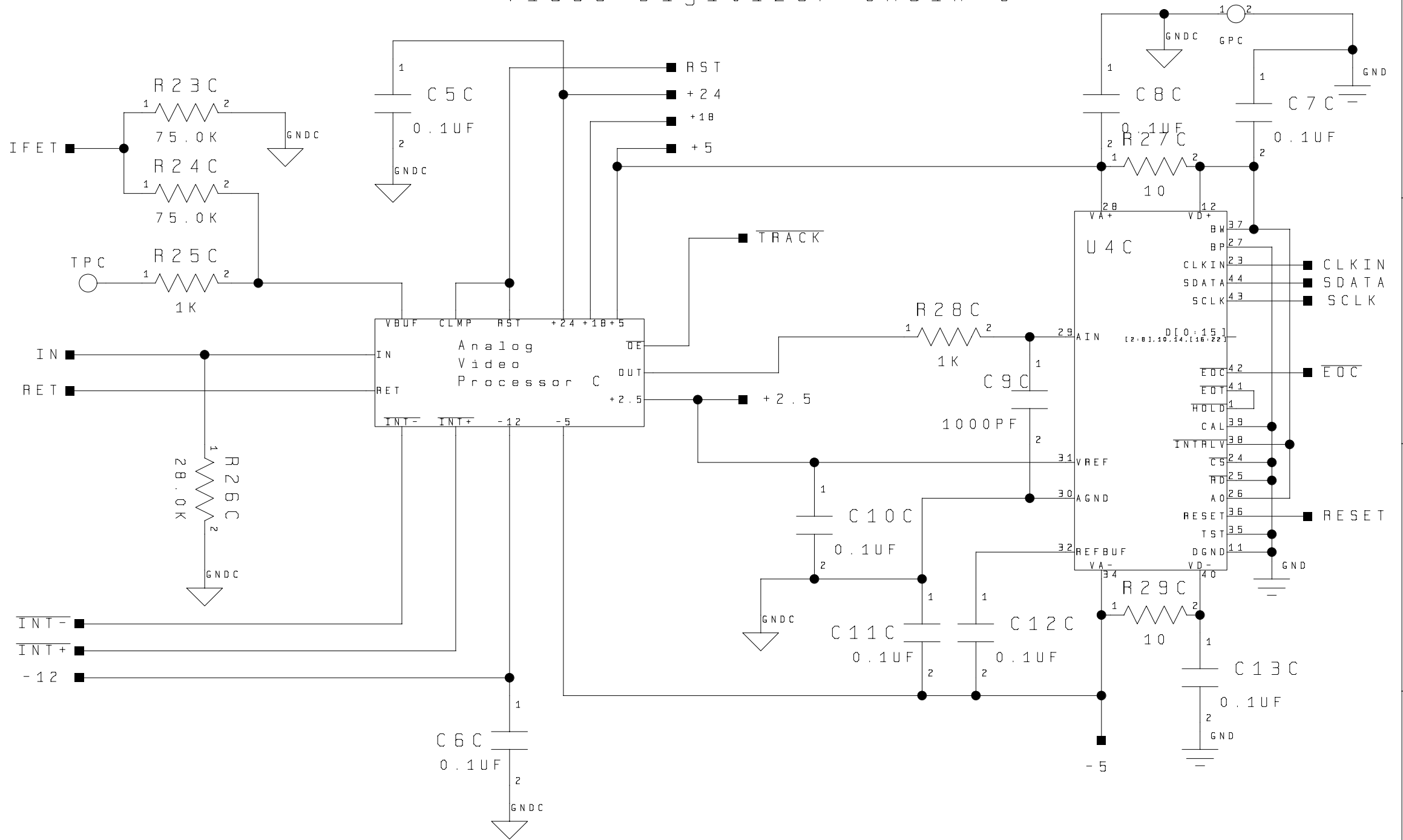


MIT Center for Space Research		CCD Laboratory	
DRIG:	jpd	DRAWING:	video.4
CHK:	fjlarosa 10/9/98	SIZE:	B
		SCALE:	N/A
		SHEET:	5 OF 16
		REV:	A

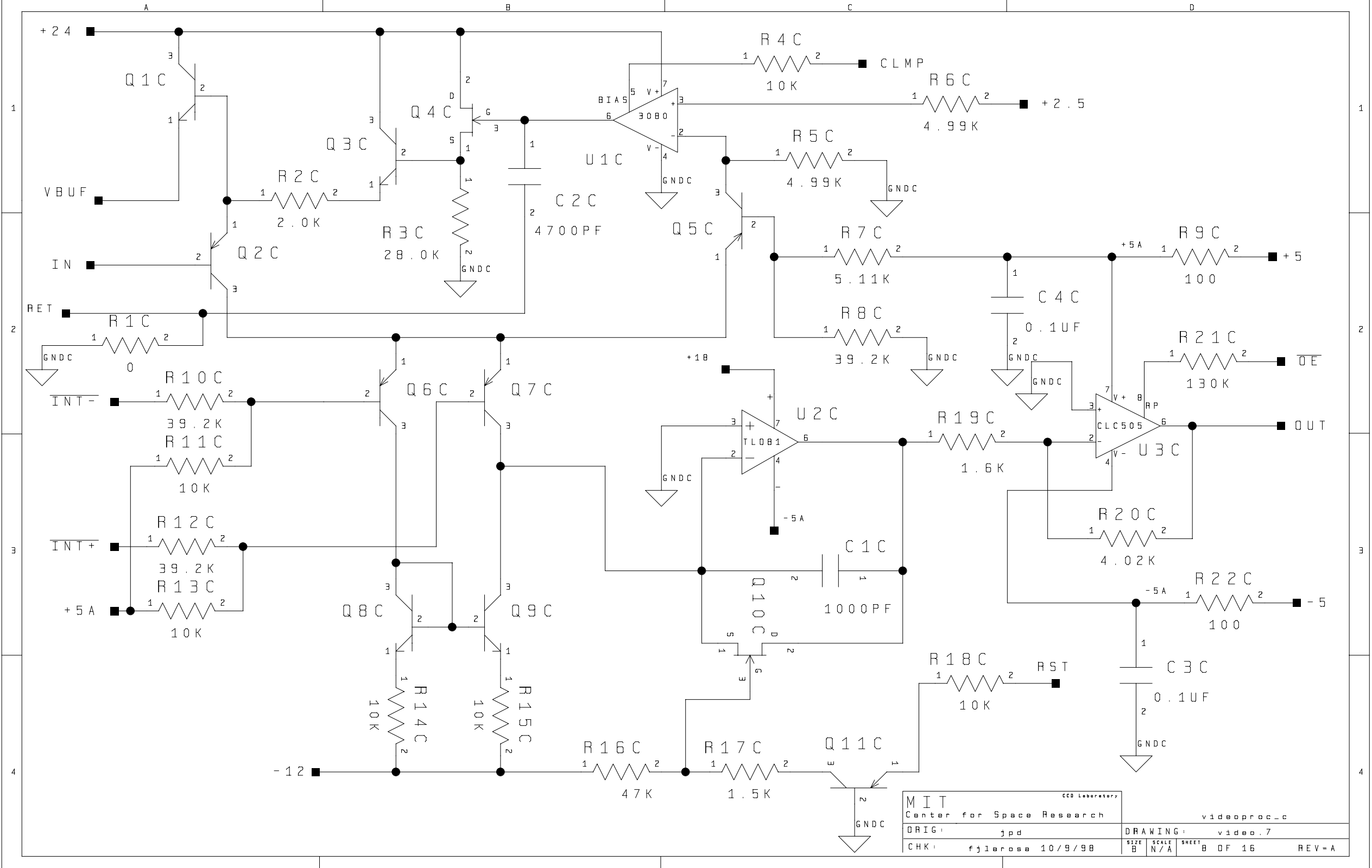


MIT Center for Space Research		CCD Laboratory	
DRIG: jpd		DRAWING: video.5	
CHK: fjl1arosa 10/9/98	SIZE: B	SCALE: N/A	SHEET: 6 OF 16
		REV: A	

Video Digitizer Chain C

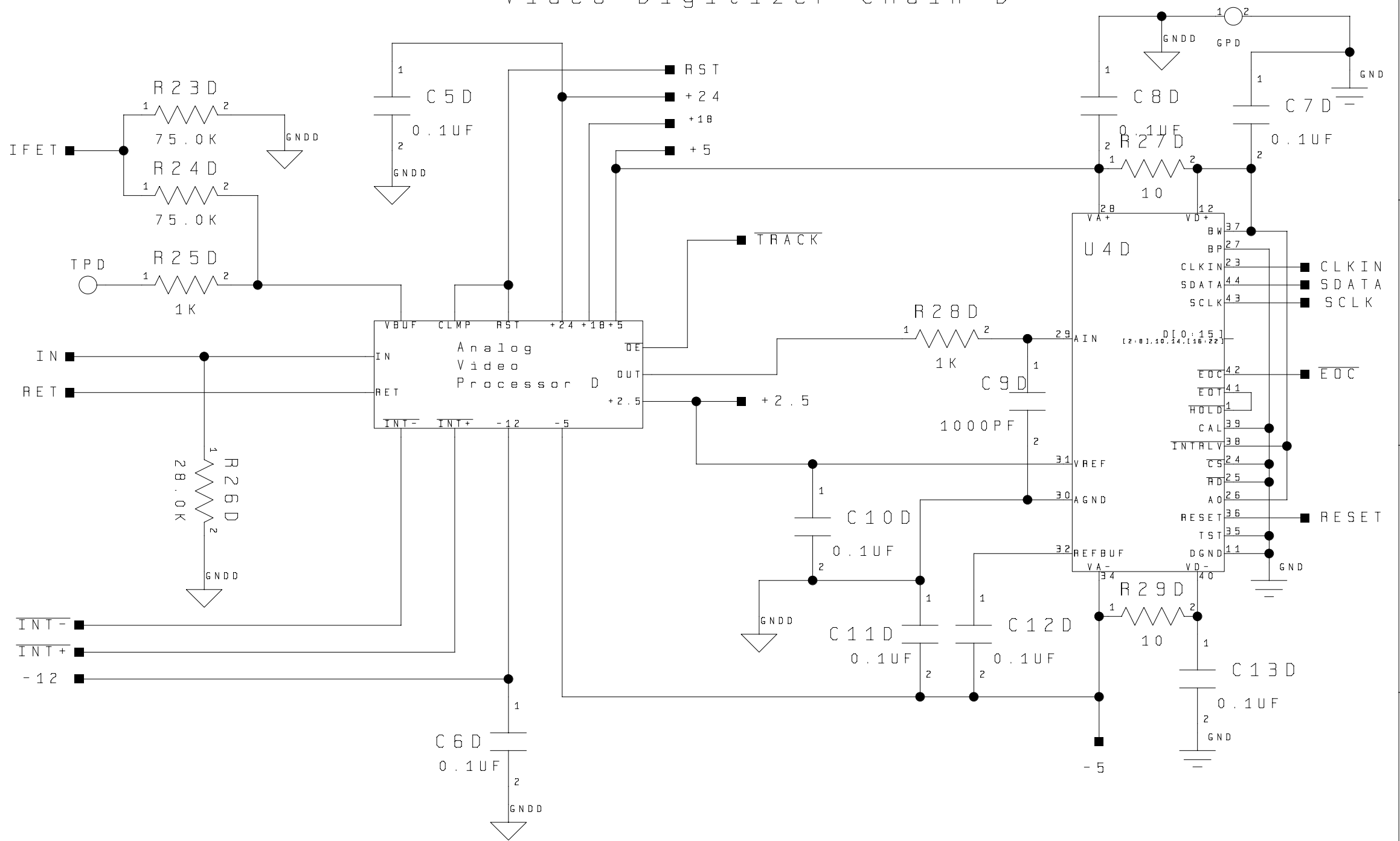


MIT Center for Space Research		CCD Laboratory	
DRIG:	jpd	DRAWING:	video.6
CHK:	fj1arosa 10/9/98	SIZE:	7 OF 16
		SCALE:	N/A
		SHEET:	REV=A

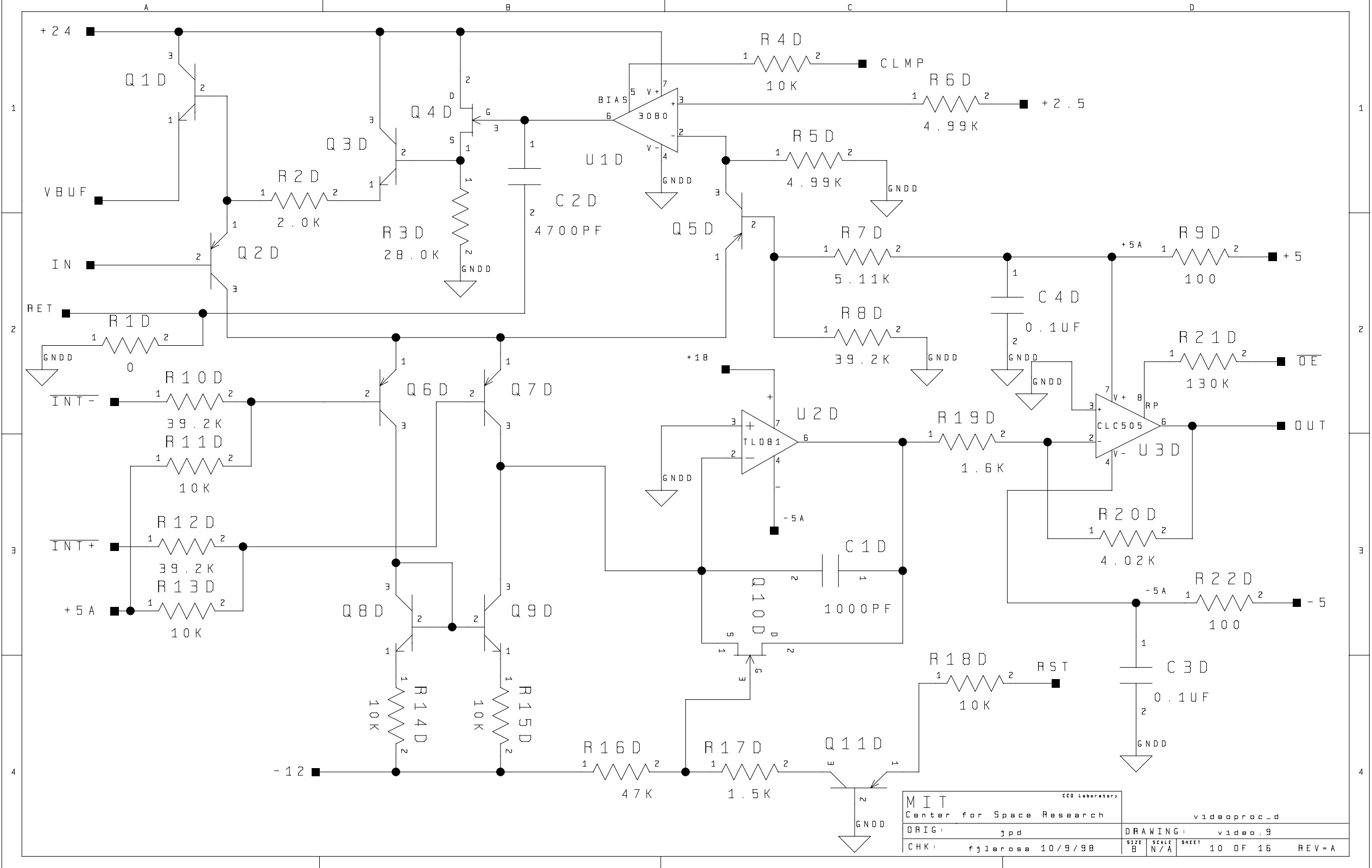


MIT Center for Space Research		CCD Laboratory	
DRIG: jpd		DRAWING: video.7	
CHK: fjl1arosa 10/9/98	SIZE: B	SCALE: N/A	SHEET: B OF 16
		REV=A	

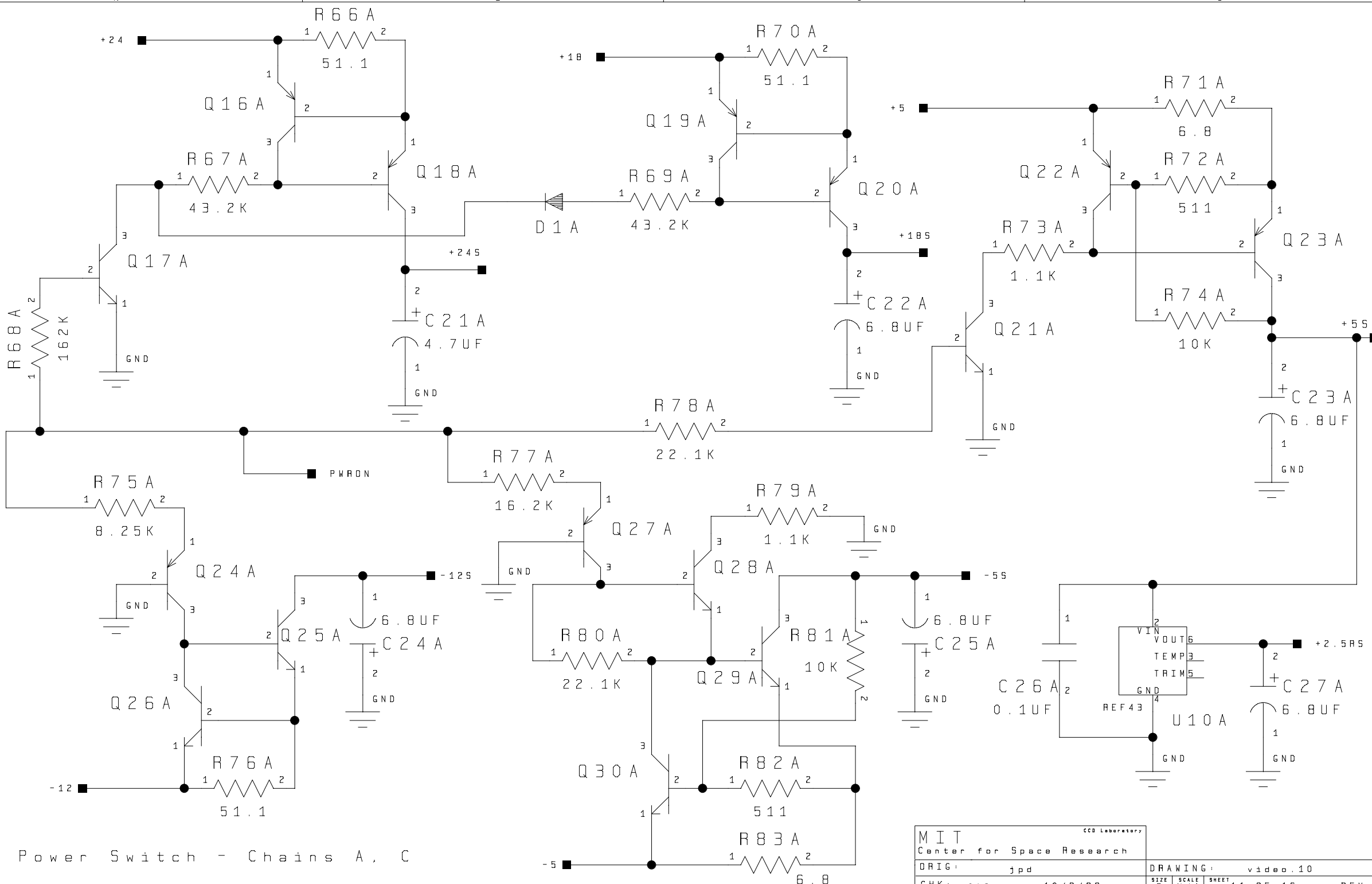
Video Digitizer Chain D



MIT Center for Space Research		CCD Laboratory	
DRIG:	jpd	DRAWING:	video.B
CHK:	fjlarosa 10/9/98	SIZE:	B
		SCALE:	N/A
		SHEET:	9 OF 16
		REV:	A

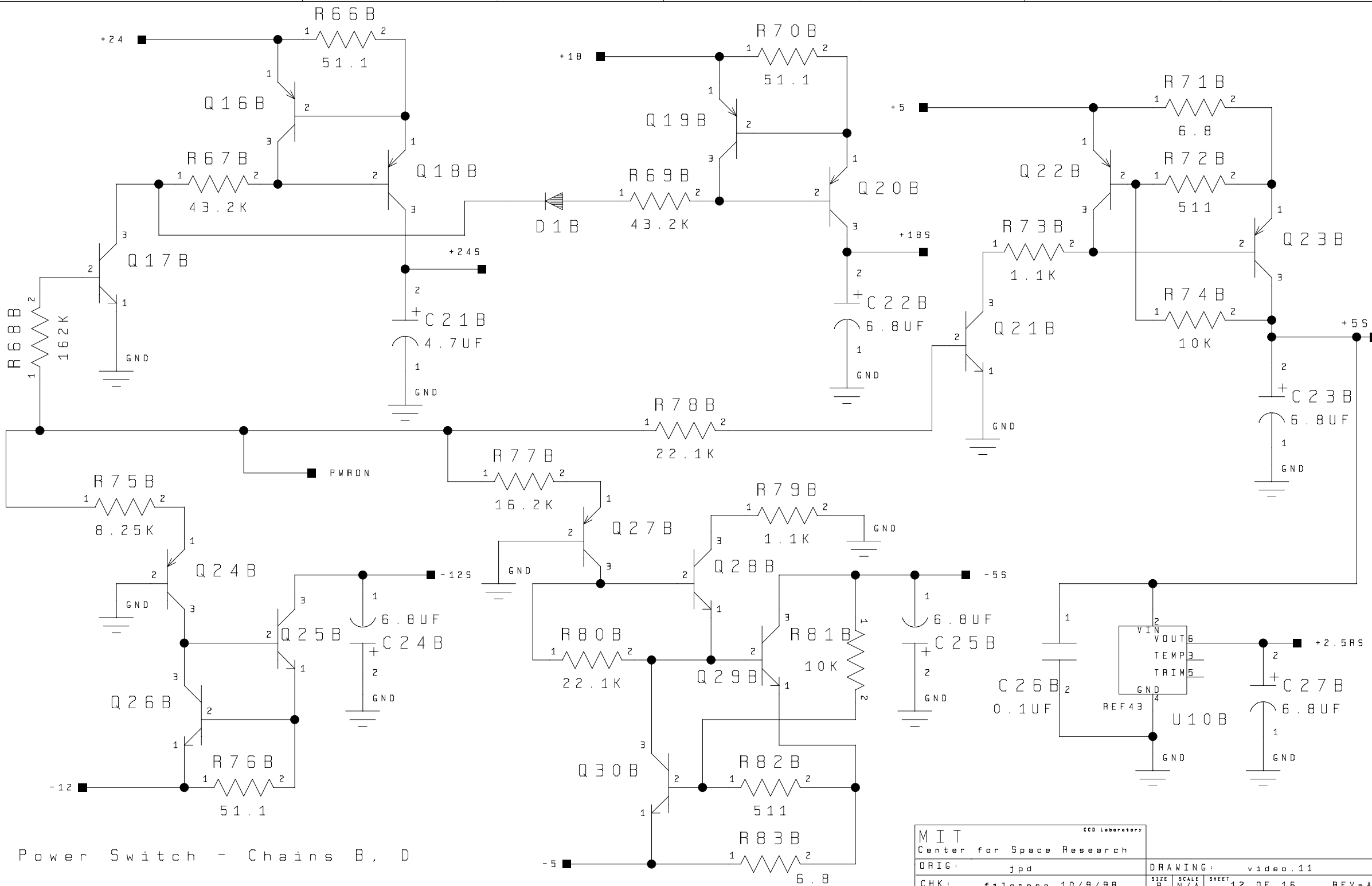


MIT Center for Space Research		CCD Laboratory	
DRIG: jpd		DRAWING: video.9	
CHK: fj1arosa	10/9/98	SIZE: B	SCALE: N/A
		SHEET: 10 OF 16	REV: A



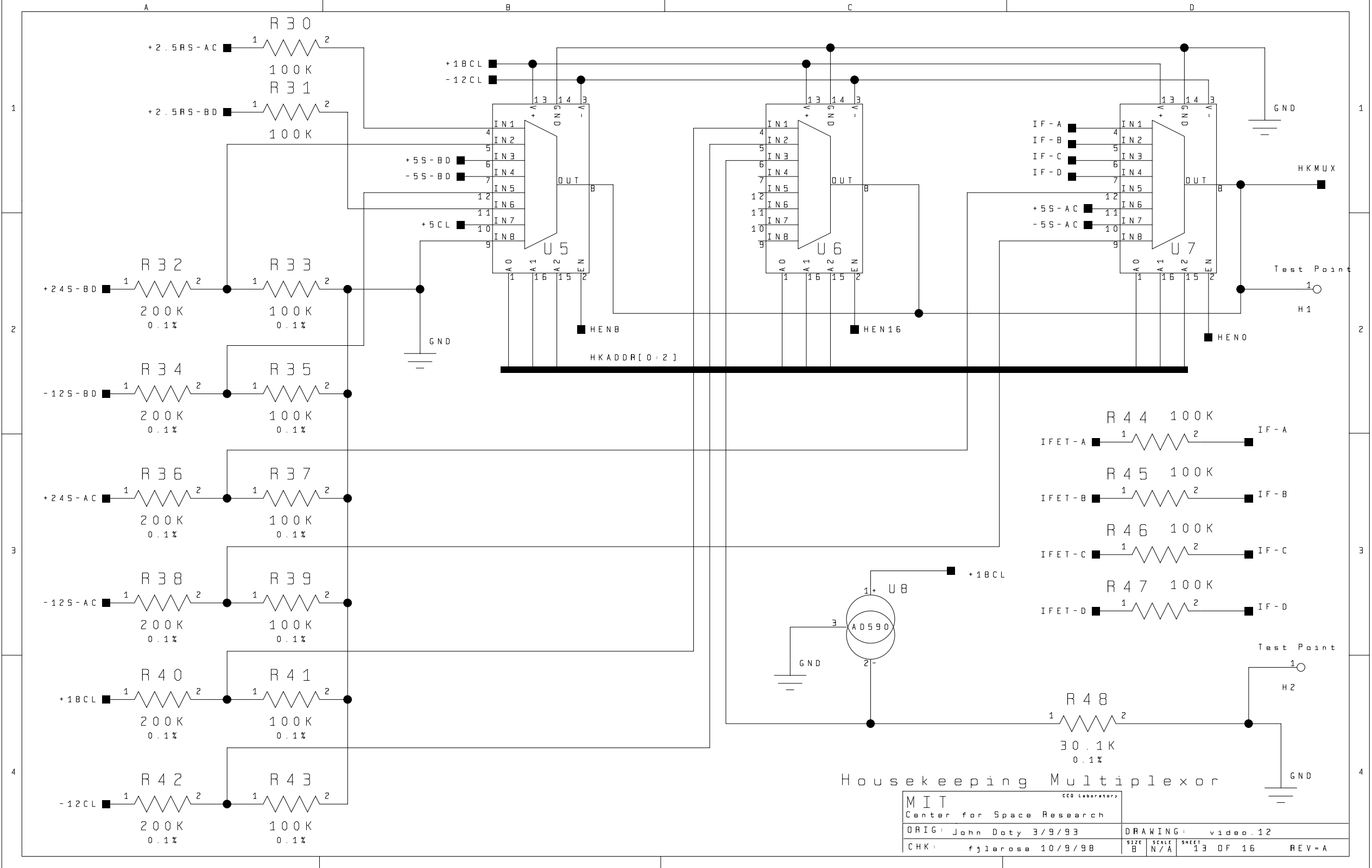
Power Switch - Chains A, C

MIT Center for Space Research		CCD Laboratory	
DRIG:	jpd	DRAWING:	video.10
CHK:	fjlarose 10/9/98	SIZE:	B
		SCALE:	N/A
		SHEET:	11 OF 16
		REV:	A



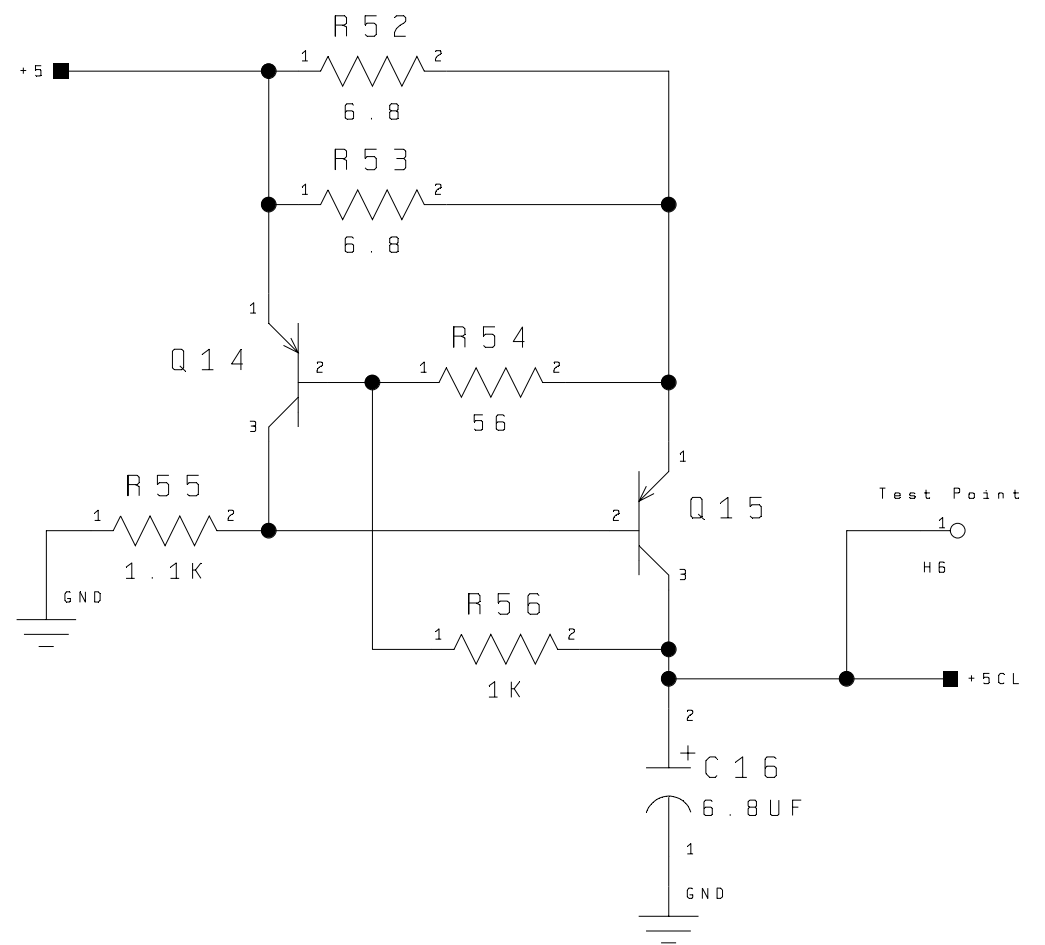
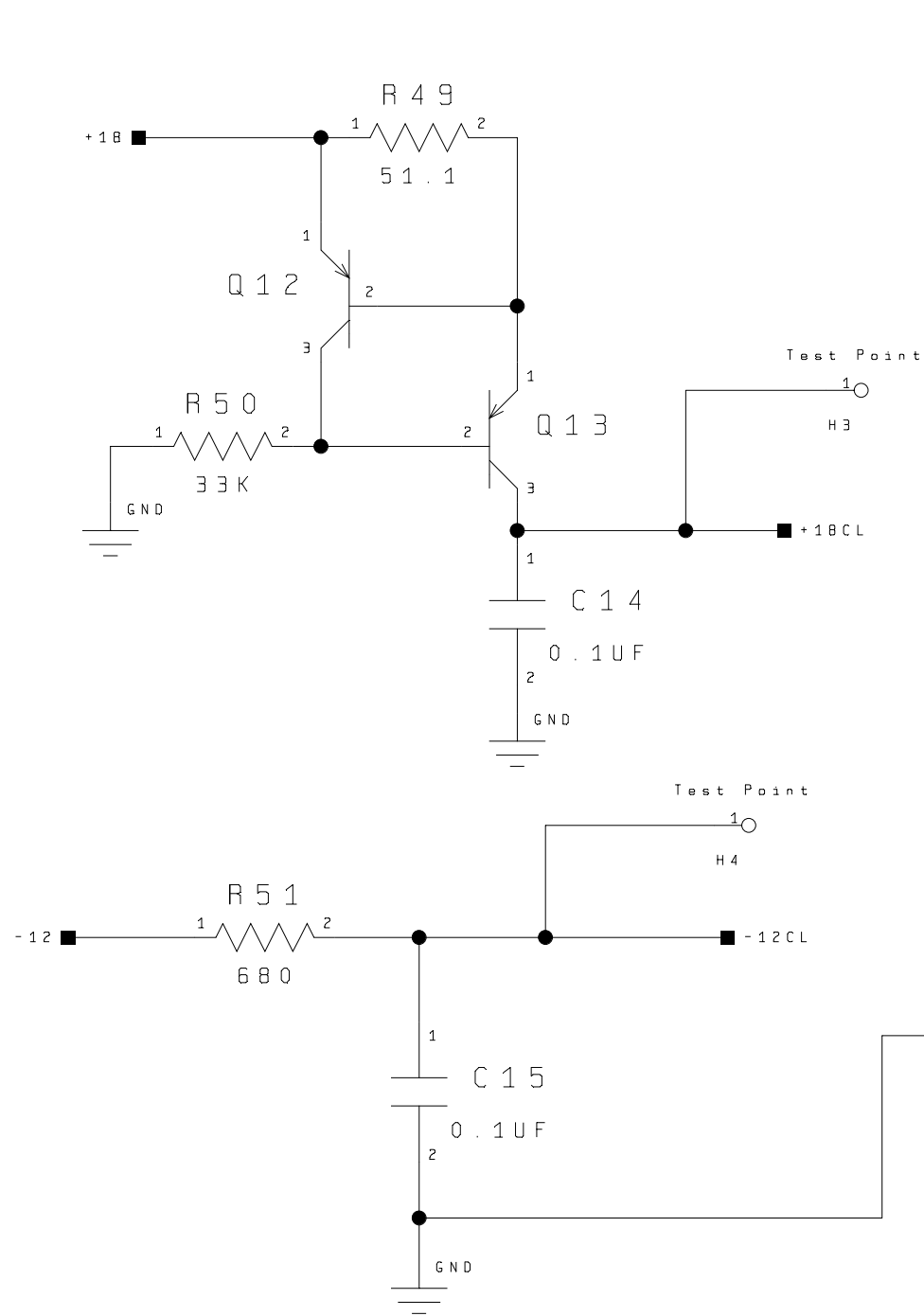
Power Switch - Chains B, D

MIT Center for Space Research		CCD Laboratory	
DRIG:	jpd	DRAWING:	video.11
CHK:	fj1arosa 10/9/98	SIZE	B
		SCALE	N/A
		SHEET	12 OF 16
		REV	A



Housekeeping Multiplexor

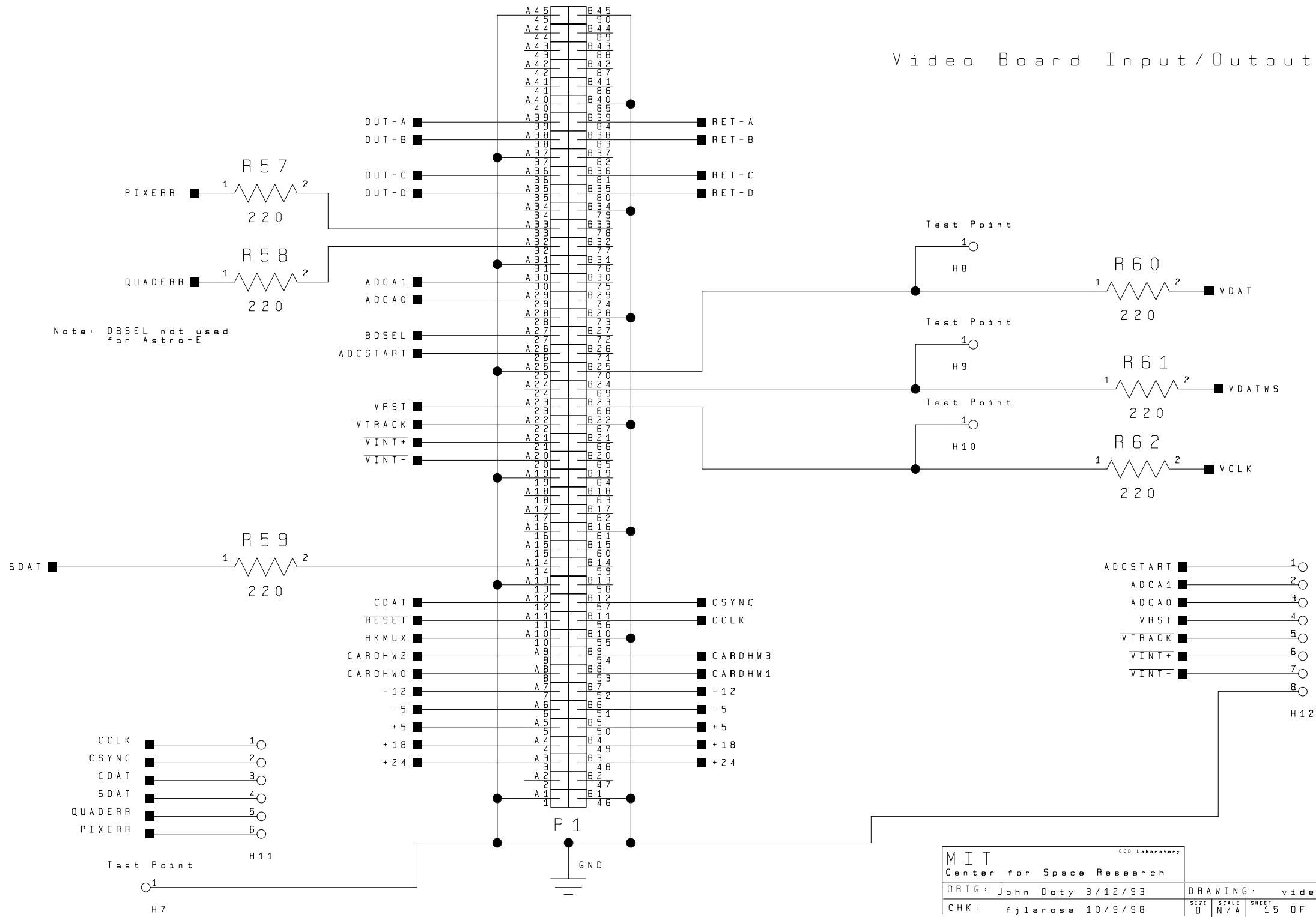
MIT Center for Space Research		CCB Laboratory	
ORIG: John Doty 3/9/93		DRAWING: video.12	
CHK: fjlarosa 10/9/98	SIZE: B	SCALE: N/A	SHEET: 13 OF 16 REV=A



Unswitched Video Power

MIT		CCD Laboratory	
Center for Space Research			
ORIG: John Doty 3/9/93		DRAWING: video.13	
CHK: fjlara	10/9/98	SIZE: N/A	SHEET: 14 OF 16 REV=A

Video Board Input/Output



Note: B0SEL not used for Astro-E

MIT Center for Space Research		CCD Laboratory	
ORIG: John Doty 3/12/93	DRAWING: video.14		
CHK: fjlarosa 10/9/98	SIZE: B	SCALE: N/A	SHEET: 15 OF 16 REV=A

