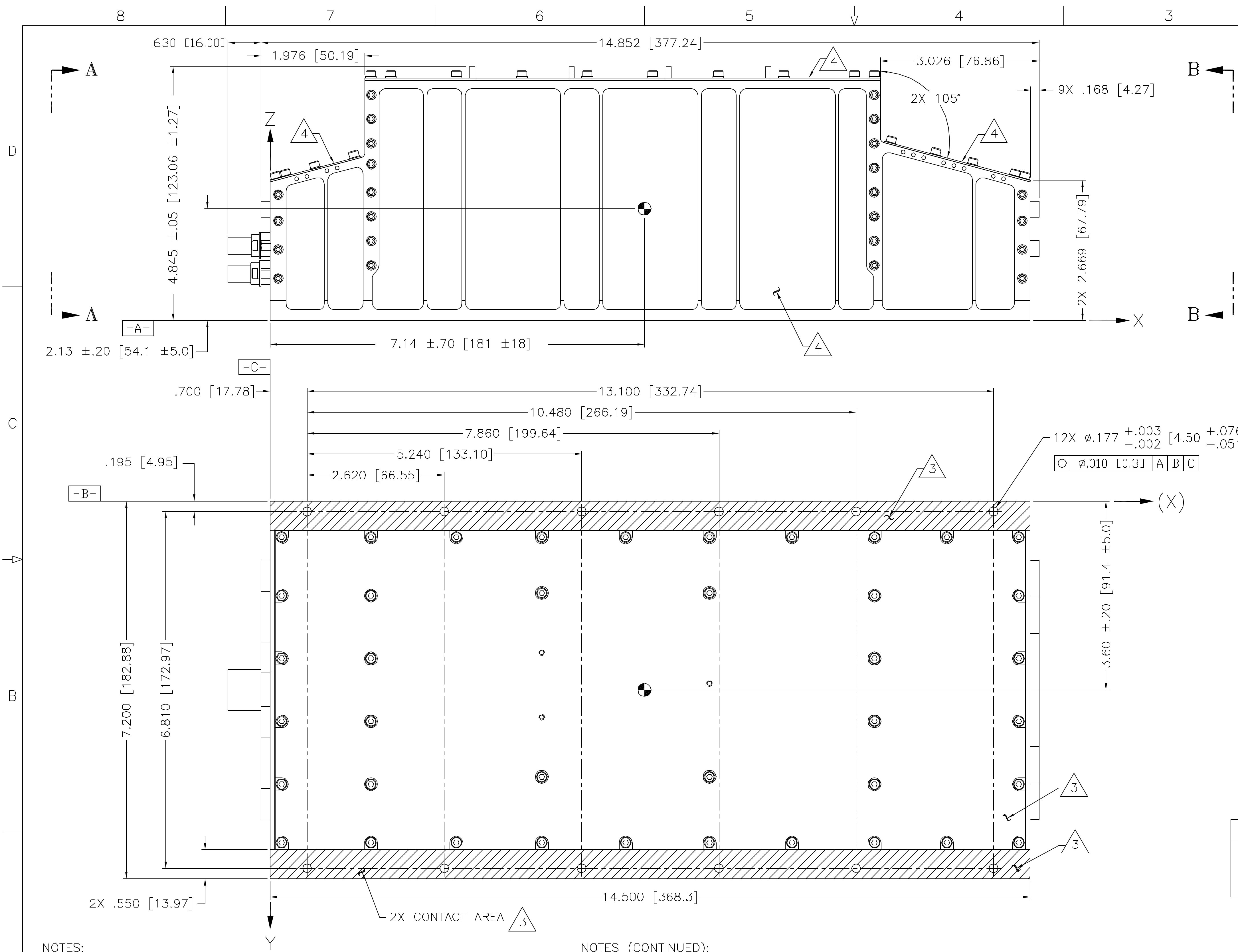


REV.		ECO NO.	DESCRIPTION	CHECKED	APPROVED	DATE
A	30-068		INITIAL RELEASE			



MASS PROPERTIES	
MOMENTS OF INERTIA	X: 6.5e5 ±0.6e5 gram cm squared
	Y: 2.0e6 ±0.2e6 gram cm squared
	Z: 2.3e6 ±0.2e6 gram cm squared

- NOTES:
- DIMENSIONS ARE SHOWN IN INCHES [MILLIMETERS].
  - UNTOLERANCED DIMENSIONS LOCATING TRUE POSITION ARE BASIC.
  - SURFACES INDICATED ARE ALUMINUM, CHEMICAL CONVERSION COATED PER MIL-C-5541, CLASS 3 (NORMAL EMITTANCE = 0.11).
  - SURFACES INDICATED ARE ALUMINUM, PAINTED WITH LORD INDUSTRIAL COATINGS, AEROGLAZE Z306, FLAT BLACK, (NORMAL EMISSIVITY = 0.9).

- NOTES (CONTINUED):
- HEAT CAPACITY 4,200 - 5,200 J/°C.
  - SURFACE TEXTURE SPECIFICATIONS SHALL BE INTERPRETED IAW ANSI Y14.36.

NAME	DATE
DRAWN M. SMITH	12/31/02
CHECKED	
APPROVED	
RELEASED	
WEIGHT	9.4-10.5 LB [4.3-4.8 KG]

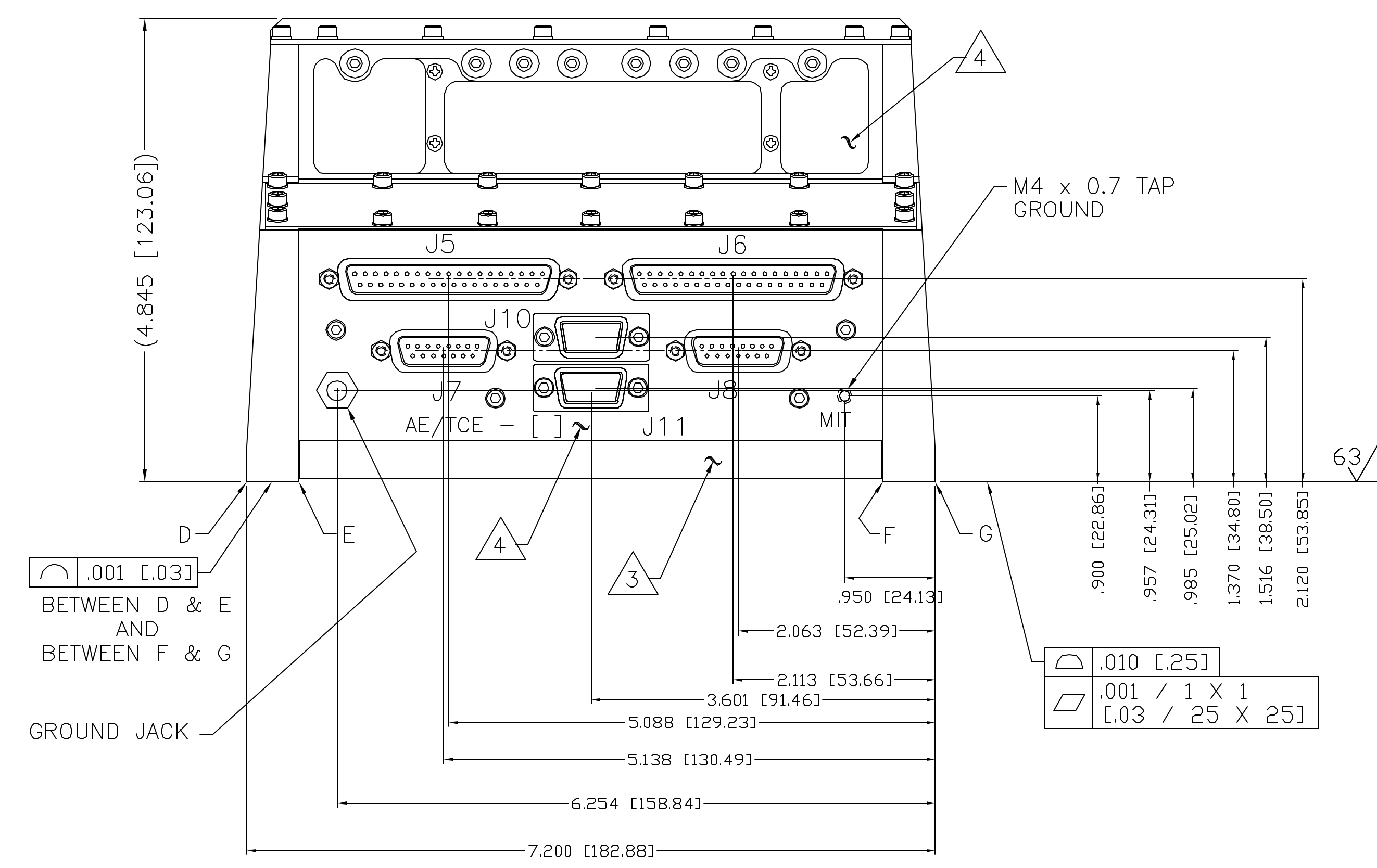
UNLESS OTHERWISE SPECIFIED:  
 DIMENSIONS SHALL BE INTERPRETED IAW ANSI Y14.5 - 1982  
 DIMENSIONS ARE IN INCHES  
 TOLERANCE: ANGLES ±1°  
 3 PLACE DECIMALS ±.005  
 2 PLACE DECIMALS ±.01  
 THIRD ANGLE PROJECTION

MASSACHUSETTS INSTITUTE OF TECHNOLOGY  
 CENTER FOR SPACE RESEARCH  
 CAMBRIDGE, MA 02139

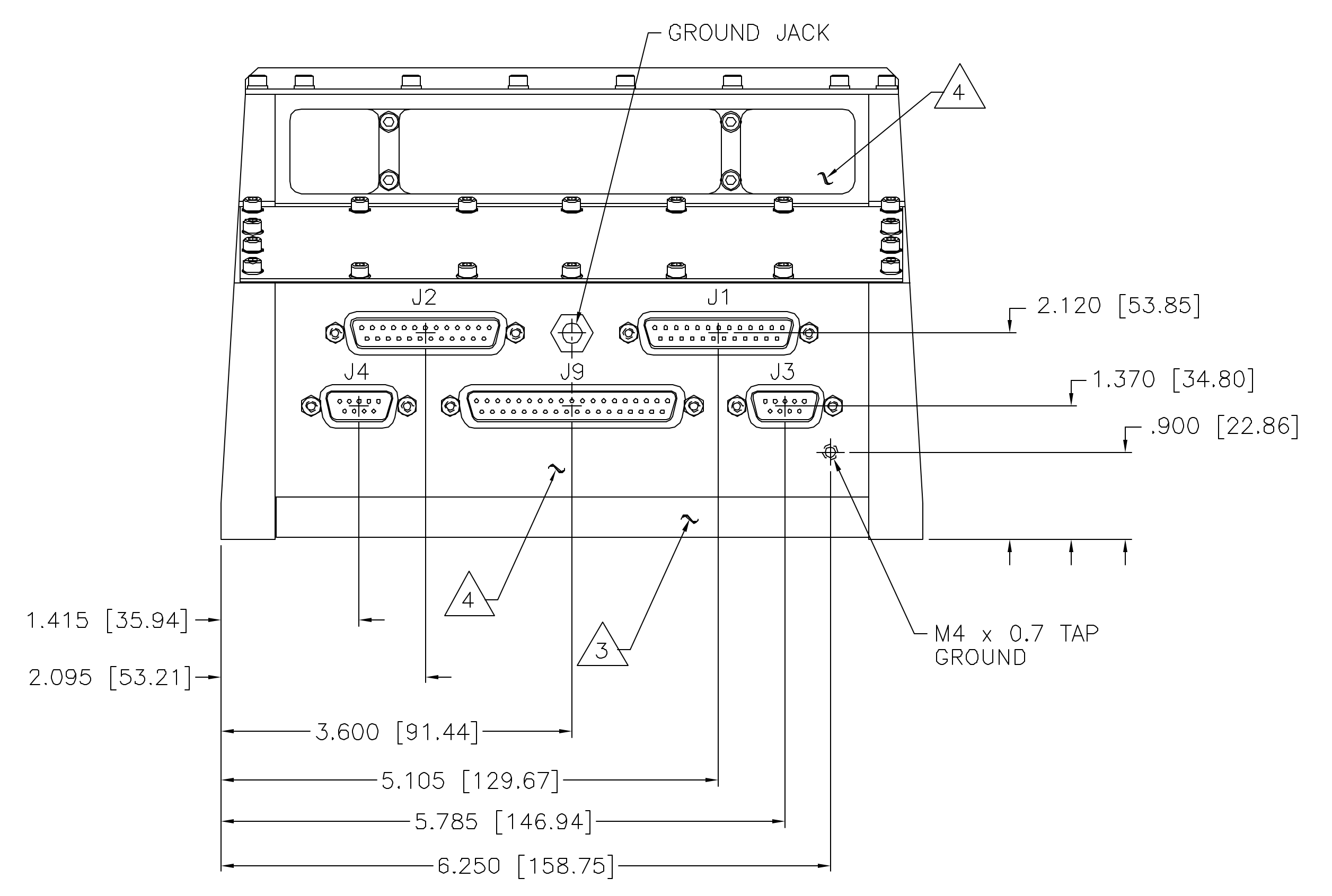
MICD, ANALOG ELEC/THERMAL CONTROL ELECTRONICS

SIZE	D	CAGE CODE	80230	DWG. NO.	30-00305	REV.	A
SCALE	1:1	SHEET		1 OF 2			

REVISIONS					
REV.	ECO NO.	DESCRIPTION	CHECKED	APPROVED	DATE
		SEE SHEET 1			



VIEW A-A



VIEW B-B